

New 1-Port Sensing Swing/Link Clamp • Lift Cylinder

One Air Port Can Detect Both Clamp and Unclamp Actions
Completely New Sensing Mechanism



Model **LKV**
Link Clamp



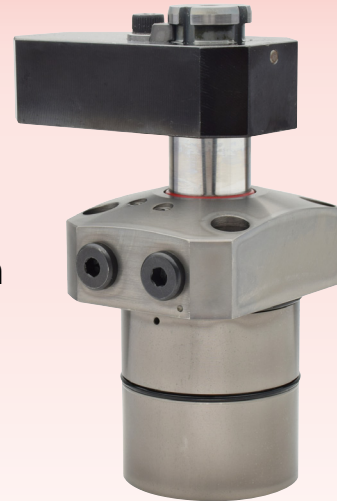
Model **LLV**
Lift Cylinder



Model **LHV**
Swing Clamp

1-Port Sensing Swing Clamp Hydraulic Double Action

Model LHV

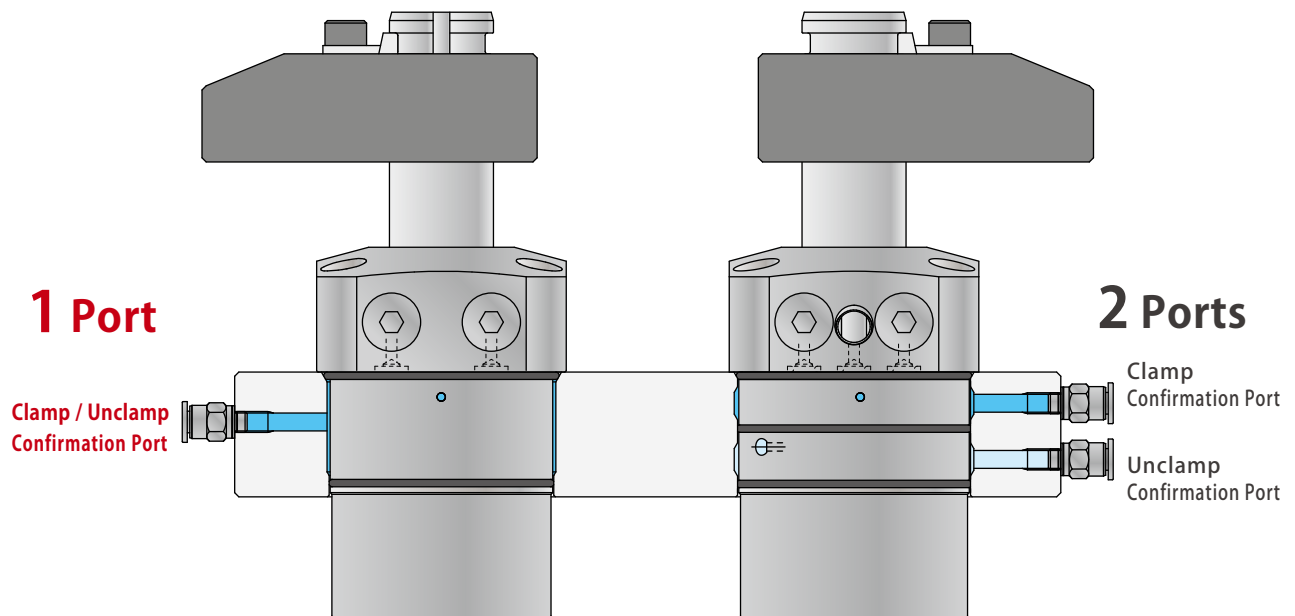


One Air Port Can Detect Both Clamp and Unclamp Actions

Suitable for Automated Application with Completely New Sensing Mechanism



One Air Port to Confirm Clamp and Unclamp Actions



New Model

New Mechanism

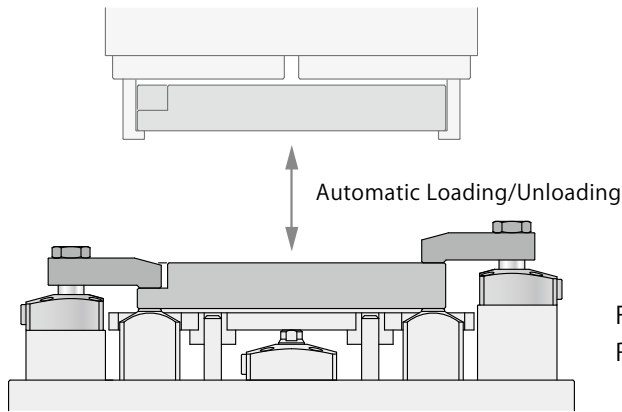
model LHV

1-Port Sensing
Swing Clamp

Current

model LHW

Application Examples



For Automated Setup
Requiring Action Confirmation

Hydraulic Series

Accessories

Cautions

1-Port Sensing
Swing Clamp

LHV

1-Port Sensing
Link Clamp

LKV

1-Port Sensing
Lift Cylinder

LLV

Cross Section

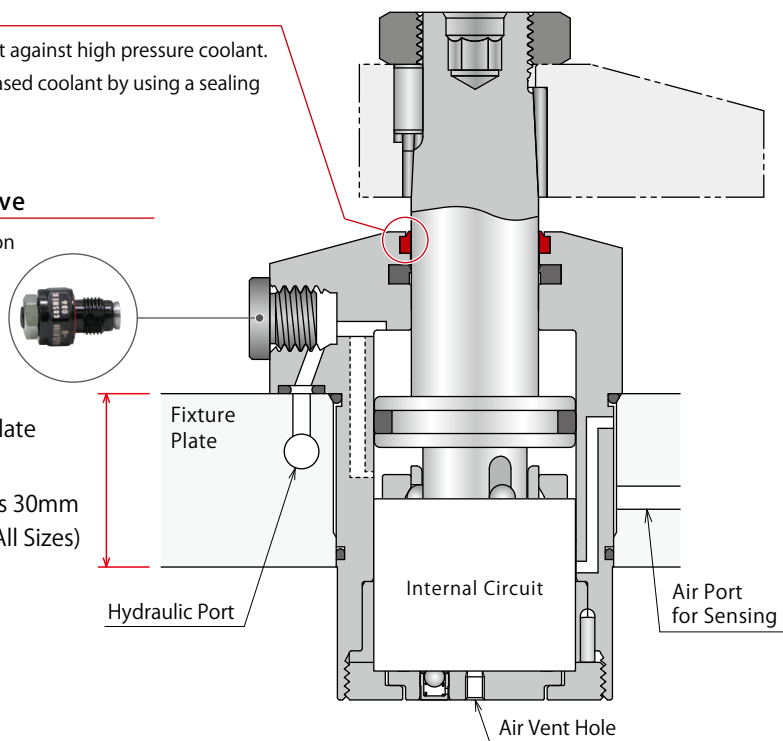
Excellent Coolant Resistance

Our exclusive dust seal is designed to protect against high pressure coolant. It also has high durability against chlorine-based coolant by using a sealing material with excellent chemical resistance.

Direct Mount Speed Control Valve

Speed control valve with air bleeding function can be directly mounted to the product. (Speed control valve is sold separately.)

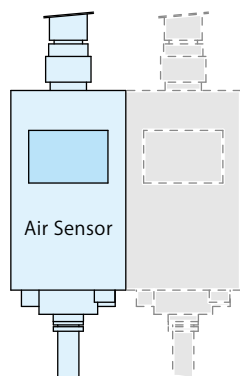
Thin Fixture Plate
Fixture Plate
Min. Thickness 30mm
(Common in All Sizes)



Minimized Number of Sensors

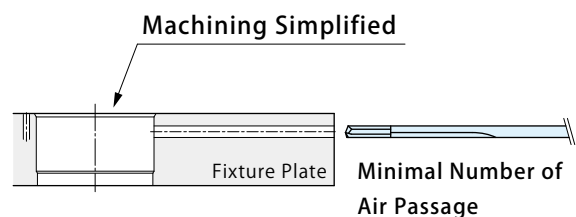
Using with a two-output air sensor allows for one sensing air port, confirms both clamp and unclamp actions and reduces the number of sensors.

1-Port Sensing
Reduces the
Number of Sensors



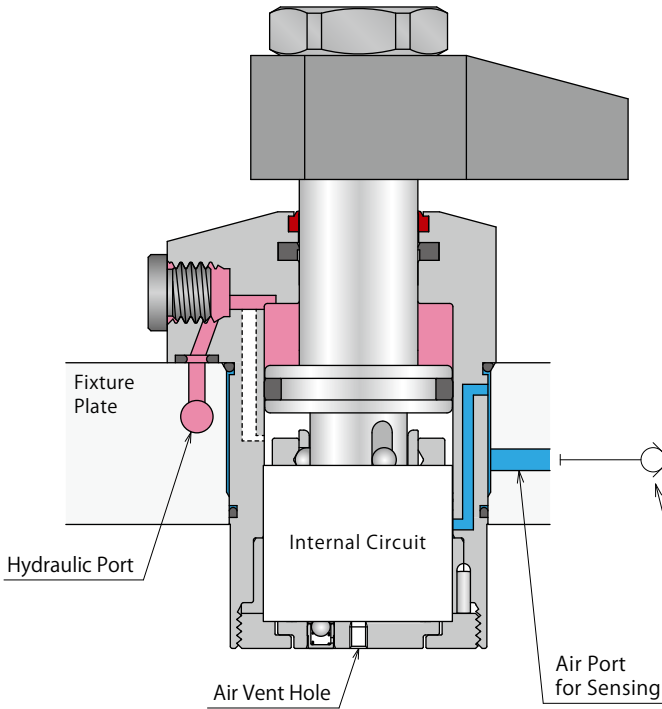
Minimized Number of Ports • Simple Machining

Integrating ports allows for reducing the number of ports for Rotary Joint and machining for air passage of fixture plate, and simplifying the machining of mounting hole. etc.



● Action Description (Cross Section)

Clamp



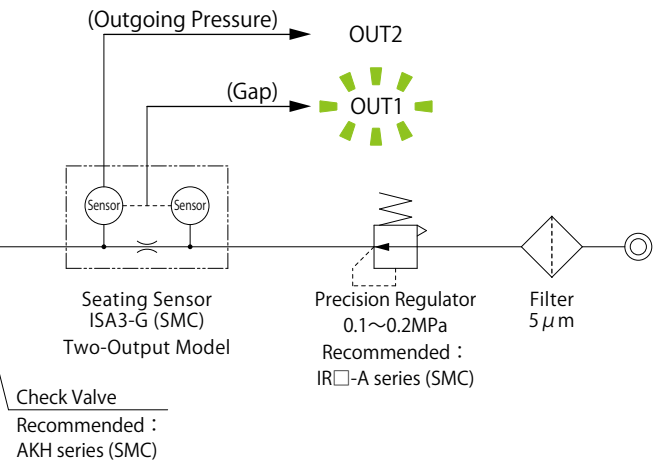
■ Clamp (During Hyd. Pressure Supply to Clamping Port)

The piston rod descends as it swings.

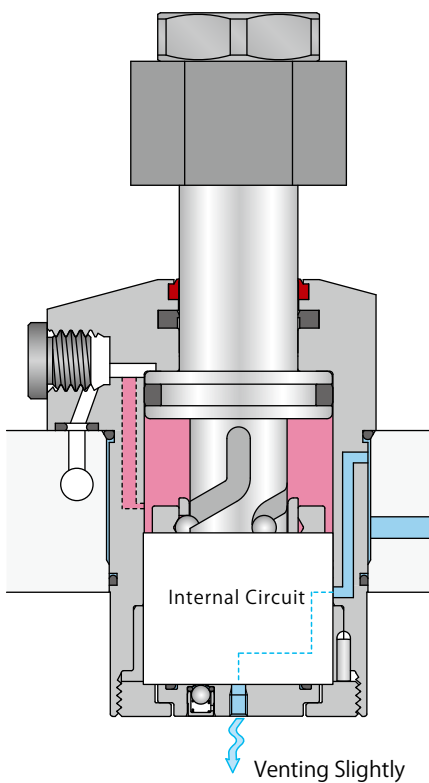


After swing action is completed, the piston rod descends vertically and clamps the workpiece.

Hydraulic Pressure		Air Sensor	
Clamp Side	Unclamp Side	Clamp Check Output 1 (OUT 1)	Unclamp Check Output 2 (OUT 2)
ON	OFF	ON	OFF



Unclamp



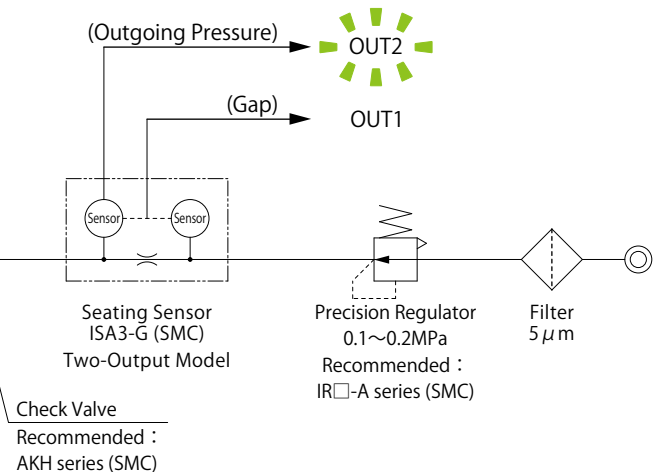
■ Unclamp (During Hyd. Pressure Supply to Unclamping Port)

The piston rod ascends vertically (Clamp Stroke Range).

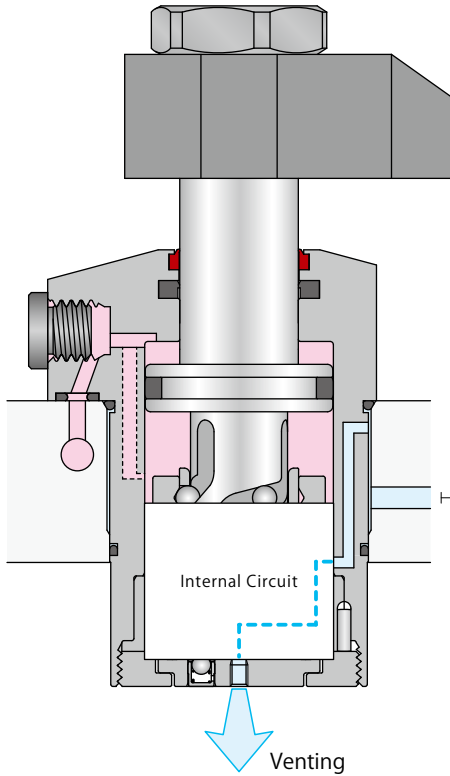


After vertical action is completed, the piston rod ascends as it swings.

Hydraulic Pressure		Air Sensor	
Clamp Side	Unclamp Side	Clamp Check Output 1 (OUT 1)	Unclamp Check Output 2 (OUT 2)
OFF	ON	OFF	ON



During Swing Action

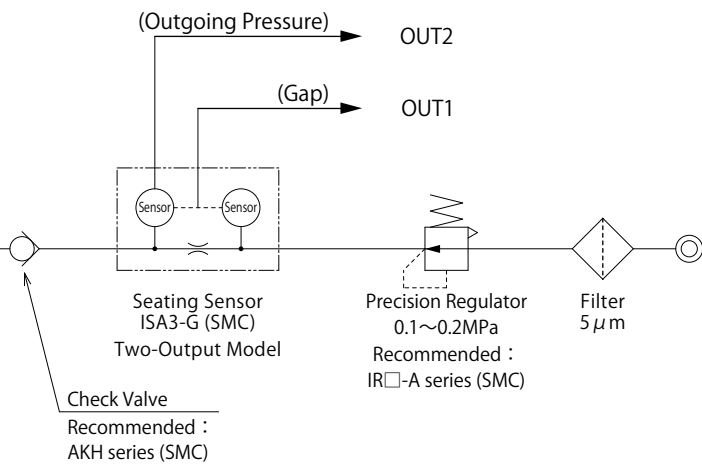


■ During Swing Action

The air sensor turns OFF during the stroke with clamping or unclamping pressure supplied.

The detail of sensor ON/OFF range is shown in Air Sensing Chart on P. 6.

Hydraulic Pressure		Air Sensor	
Clamp Side	Unclamp Side	Clamp Check Output 1 (OUT 1)	Unclamp Check Output 2 (OUT 2)
(OFF)	(OFF)	OFF	OFF



● Action Description (Air Sensing Chart Explanation)

Action confirmation can be conducted by detecting differential pressure with the air sensor.

Applicable Model

LHV 040 0 - C

R
L

 E -

Blank
A

Air Sensor

- Requires Two-Output Air Sensor in order to confirm both clamp and unclamp actions with one air sensor.

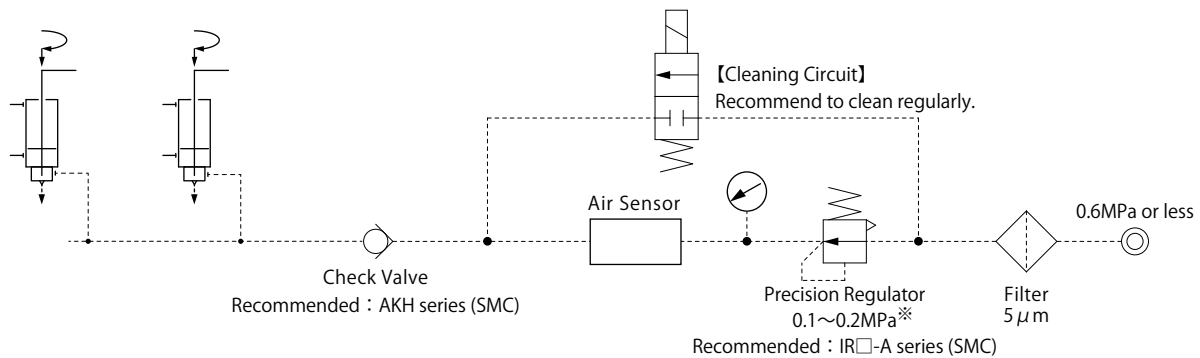
Recommended Operating Air Pressure : 0.1~0.2MPa (When connected to 4 clamps, air pressure should be 0.15MPa or more.)

Recommended Air Sensor

Maker	SMC
Name	Digital Seating Switch
Model No.	ISA3-G□A, ISA3-G□B

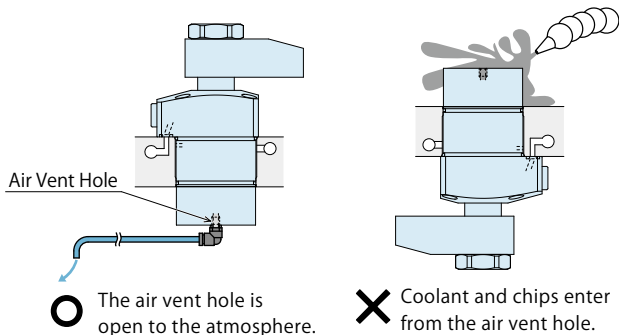
- **Number of Clamps Connected per Air Sensor : 2 ~ 4 pcs.**
※Please contact us when using an air sensor for one clamp.

- Please refer to maker's catalog etc. for the detail of the air sensor.
- Continuously supply air pressure when in use.
- Refer to the drawing below for the air circuit construction.

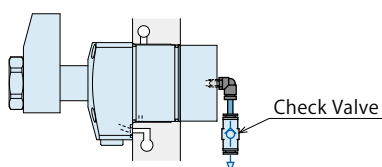


Notes for Design · Installation · Use

- Air vent hole must be open to the atmosphere, and prevent coolant and chips from entering the air vent hole. The air sensor can malfunction if the air vent port is blocked.
- Continuously supply air pressure to the air port for sensing when in use.
- Set a check valve with low cracking pressure to the detection port of the air sensor. (Recommended Check Valve: SMC-made AKH series, cracking pressure: 0.005MPa)

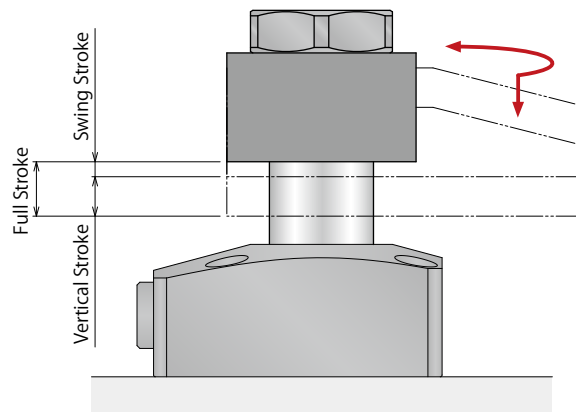
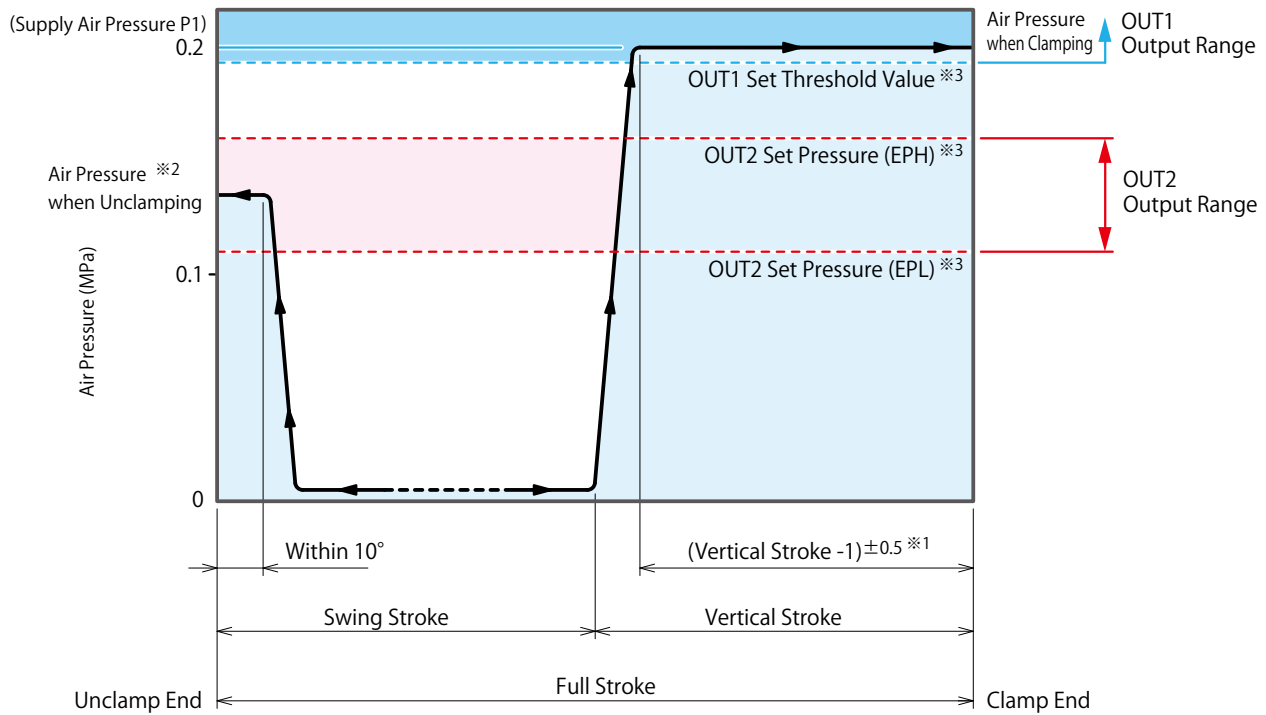


【Prevention of Foreign Substance to the Air Vent Port】
Coolant and chips can be prevented by setting a check valve with low cracking pressure. (Recommended Check Valve: SMC-made AKH series, cracking pressure: 0.005MPa)



Air Sensing Chart

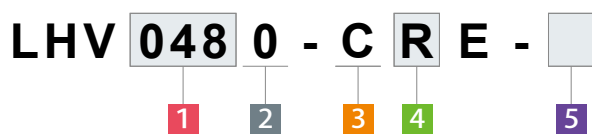
When Connected to 3 Clamps, Supply Air Pressure 0.2MPa



Notes:

- Sensing chart shows the relationship between the stroke and detection circuit air pressure.
 - The specifications may vary depending on the air circuit. The hose length should be as short as possible. (Suggest less than 5m)
 - Sensor Setting should be as follows: Detect with OUT1 (Threshold Value) for clamp action confirmation, OUT2 (Pressure Set Value) for unclamp action confirmation. Hysteresis for both OUT1 and OUT2 should be set as 0. Make sure to use the recommended air sensor.
- ※1. There is a certain tolerance with regard to the position where it reaches the pressure when clamping depending on the clamp structure. (Refer to the sensing chart.)
- ※2. Pressure when unclamping may vary according to the condition of air circuit.
- ※3. The position where the air sensor turns ON signal output varies depending on the sensor setting. Set according to using systems. Please refer to the maker's instruction manual, etc. for detail of the air sensor.

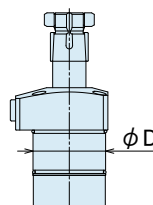
Model No. Indication



1 Body Size

- 040** : $\phi D=40\text{mm}$
- 048** : $\phi D=48\text{mm}$
- 055** : $\phi D=55\text{mm}$
- 065** : $\phi D=65\text{mm}$
- 075** : $\phi D=75\text{mm}$

※ Indicates the cylinder outer diameter (ϕD).



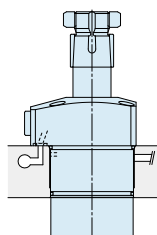
2 Design No.

- 0** : Revision Number

3 Piping Method

- C** : Gasket Option (With G Thread Plug)

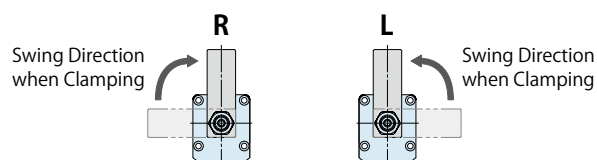
※ Speed control valve (BZL) is sold separately. Please refer to P. 55.



With G Thread Plug
Able to attach speed control valve

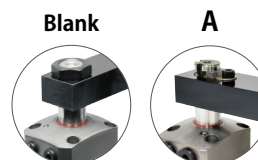
4 Swing Direction when Clamping

- R** : Clockwise
- L** : Counter-Clockwise



5 Option

- Blank** : None (Standard:Taper Lock Lever)
- A** : Quick Change Lever Type A



Specifications

Model No.		LHV0400	LHV0480	LHV0550	LHV0650	LHV0750
Cylinder Area for Clamping	cm ²	4.52	5.82	8.95	12.57	18.38
Cylinder Inner Diameter ※1	mm	30	35	42	50	60
Rod Diameter ※1	mm	18	22	25	30	35.5
Clamping Force ※2 (Calculation Formula)	kN	$F = \frac{P}{2.2105 + 0.0105 \times L}$	$F = \frac{P}{1.7183 + 0.0058 \times L}$	$F = \frac{P}{1.1179 + 0.0038 \times L}$	$F = \frac{P}{0.7958 + 0.0024 \times L}$	$F = \frac{P}{0.5442 + 0.0014 \times L}$
Cylinder Capacity	Clamp	6.6	9	16.5	25.1	44.1
	Unclamp	7.3	11	19.6	29.5	52.5
Full Stroke	mm	14.5	15.5	18.5	20	24
Swing Stroke (90°)	mm	6.5	7.5	8.5	10	12
Vertical Stroke	mm	8	8	10	10	12
Swing Angle Accuracy		90° ±3°				
Swing Complete Position Repeatability		±0.5°				
Hydraulic Pressure	Max. Operating Pressure	MPa				
	Min. Operating Pressure ※3	2.0		1.5		
	Withstanding Pressure	MPa				
Recommended Operating Air Pressure	MPa	0.1 ~ 0.2				
Recommended Air Sensor ※4		Seating Switch ISA3-G (2-Output Model) : SMC				
Operating Temperature	°C	0 ~ 70				
Usable Fluid		General Hydraulic Oil Equivalent to ISO-VG-32				
Mass	6 Blank ※5	0.9	1.4	2.0	2.9	4.2
	6 A ※6	0.9	1.3	1.9	2.8	4

Notes : ※1. Clamping force cannot be calculated from the cylinder inner diameter and rod diameter.

Please refer to the clamping force calculation formula and the clamping force curve.

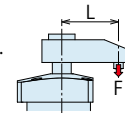
※2. F : Clamping Force (kN), P : Supply Hydraulic Pressure (MPa), L : Distance between the piston center and the clamping point (mm).

※3. Minimum pressure to operate the clamp without load.

※4. The number of clamps connected per air sensor is 2 ~ 4 pcs. Please contact us when using an air sensor for one clamp.

※5. Mass of single swing clamp including taper sleeve and nut.

※6. Mass of single swing clamp without the tightening kit.



Hydraulic Series

Accessories

Cautions

1-Port Sensing
Swing Clamp

LHV

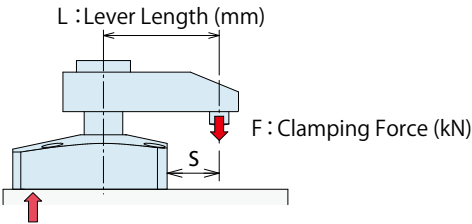
1-Port Sensing
Link Clamp

LKV

1-Port Sensing
Lift Cylinder

LLV

Clamping Force Curve



Applicable Model

LHV 0 - C R L E - Blank A

1 Body Size

(Ex.) When using LHV0480

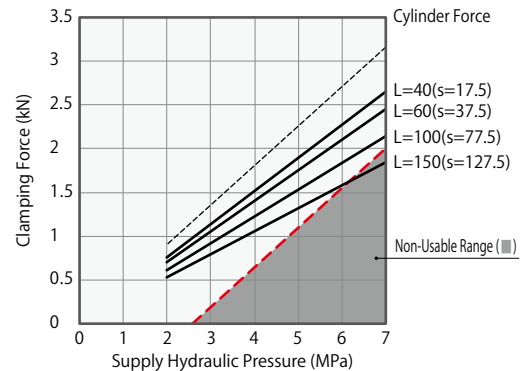
Supply Hydraulic Pressure 5.0MPa, Lever Length L=50mm
 Clamping force is about 2.5kN.

Notes:

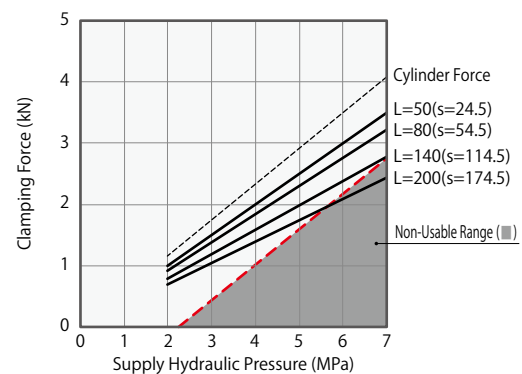
1. Tables and graphs shown are the relationships between the clamping force (kN) and supply hydraulic pressure (MPa).
2. Cylinder output (when L=0) cannot be calculated from the calculation formula of clamping force.
3. There may be no lever swing action with large inertia depending on supply hydraulic pressure or mounting position.
4. Clamping force indicates the value when the lever locks a workpiece in horizontal position.
5. The clamping force varies depending on the lever length. Set the supply hydraulic pressure suitable to the lever length.
6. Using in the non-usable range may damage the clamp and lead to fluid leakage.
7. The tables and graphs are only for reference. The exact results should be calculated based on the clamping force calculation formula.

※ 1. F: Clamping Force (kN), P: Supply Hydraulic Pressure (MPa), L: Lever Length (mm)

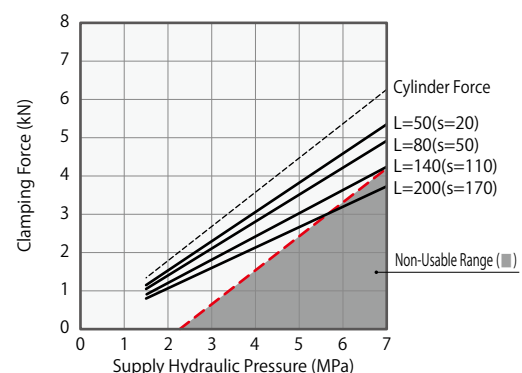
LHV0400		Clamping Force Calculation Formula ※1 (kN) $F = P / (2.2105 + 0.0105 \times L)$								
Hydraulic Pressure (MPa)	Cylinder Force (kN)	Clamping Force (kN) Lever Length L (mm)								Max. Lever Length (L) (mm)
		L=40	L=50	L=60	L=70	L=80	L=100	L=120	L=150	
7	3.17	2.7	2.6	2.5	2.4	2.3	2.1	2.0	1.9	124
6.5	2.94	2.5	2.4	2.3	2.2	2.1	2.0	1.9	1.8	140
6	2.71	2.3	2.2	2.1	2.0	2.0	1.8	1.7	1.6	161
5.5	2.49	2.1	2.0	1.9	1.9	1.8	1.7	1.6	1.5	188
5	2.26	1.9	1.8	1.8	1.7	1.6	1.5	1.4	1.3	210
4.5	2.04	1.7	1.6	1.6	1.5	1.5	1.4	1.3	1.2	210
4	1.81	1.5	1.5	1.4	1.4	1.3	1.2	1.2	1.1	210
3.5	1.58	1.3	1.3	1.2	1.2	1.1	1.1	1.0	0.9	210
3	1.36	1.1	1.1	1.1	1.0	1.0	0.9	0.9	0.8	210
2.5	1.13	1.0	0.9	0.9	0.8	0.8	0.8	0.7	0.7	210
2	0.90	0.8	0.7	0.7	0.7	0.7	0.6	0.6	0.5	210
Max. Operating Pressure (MPa)	7.0	7.0	7.0	7.0	7.0	7.0	7.0	7.0	6.2	



LHV0480		Clamping Force Calculation Formula ※1 (kN) $F = P / (1.7183 + 0.0058 \times L)$							
Hydraulic Pressure (MPa)	Cylinder Force (kN)	Clamping Force (kN) Lever Length L (mm)							Max. Lever Length (L) (mm)
		L=50	L=60	L=80	L=100	L=120	L=140	L=160	
7	4.07	3.5	3.4	3.2	3.0	2.9	2.8		141
6.5	3.78	3.2	3.1	3.0	2.8	2.7	2.6		158
6	3.49	3.0	2.9	2.7	2.6	2.5	2.4	2.3	179
5.5	3.20	2.7	2.7	2.5	2.4	2.3	2.2	2.1	199
5	2.91	2.5	2.4	2.3	2.2	2.1	2.0	1.9	230
4.5	2.62	2.2	2.2	2.1	2.0	1.9	1.8	1.7	230
4	2.33	2.0	1.9	1.8	1.7	1.7	1.6	1.5	230
3.5	2.04	1.7	1.7	1.6	1.5	1.4	1.4	1.3	230
3	1.75	1.5	1.5	1.4	1.3	1.2	1.2	1.1	230
2.5	1.45	1.2	1.2	1.1	1.1	1.0	1.0	0.9	230
2	1.16	1.0	1.0	0.9	0.9	0.8	0.8	0.8	230
Max. Operating Pressure (MPa)	7.0	7.0	7.0	7.0	7.0	7.0	6.4	5.6	



LHV0550		Clamping Force Calculation Formula ※1 (kN) $F = P / (1.1179 + 0.0038 \times L)$							
Hydraulic Pressure (MPa)	Cylinder Force (kN)	Clamping Force (kN) Lever Length L (mm)							Max. Lever Length (L) (mm)
		L=50	L=60	L=80	L=100	L=120	L=140	L=160	
7	6.26	5.4	5.2	4.9	4.7	4.4	4.2		142
6.5	5.81	5.0	4.8	4.6	4.3	4.1	3.9		159
6	5.37	4.6	4.5	4.2	4.0	3.8	3.6	3.5	180
5.5	4.92	4.2	4.1	3.9	3.7	3.5	3.3	3.2	208
5	4.47	3.8	3.7	3.5	3.3	3.2	3.0	2.9	245
4.5	4.03	3.4	3.3	3.2	3.0	2.9	2.7	2.6	245
4	3.58	3.1	3.0	2.8	2.7	2.5	2.4	2.3	245
3.5	3.13	2.7	2.6	2.5	2.3	2.2	2.1	2.0	245
3	2.68	2.3	2.2	2.1	2.0	1.9	1.8	1.7	245
2.5	2.24	1.9	1.9	1.8	1.7	1.6	1.5	1.4	245
2	1.79	1.5	1.5	1.4	1.3	1.3	1.2	1.2	245
1.5	1.34	1.1	1.1	1.1	1.0	1.0	0.9	0.9	245
Max. Operating Pressure (MPa)	7.0	7.0	7.0	7.0	7.0	7.0	6.4	5.6	



Hydraulic Series

Accessories

Cautions

1-Port Sensing Swing Clamp

LHV

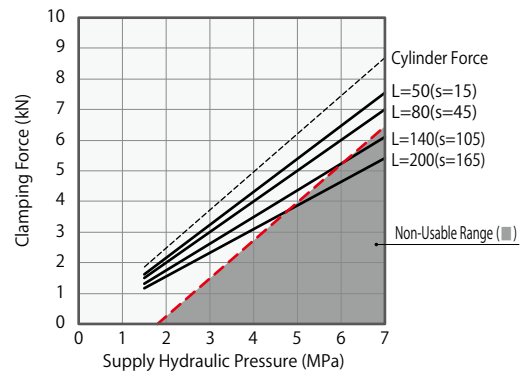
1-Port Sensing Link Clamp

LKV

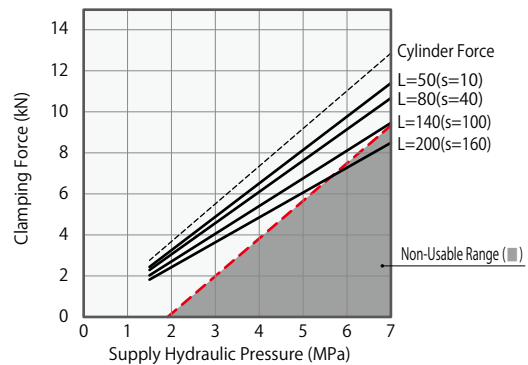
1-Port Sensing Lift Cylinder

LLV

LHV0650		Clamping Force Calculation Formula ^{**1} (kN) $F = P / (0.7958 + 0.0024 \times L)$									
Hydraulic Pressure (MPa)	Cylinder Force (kN)	Clamping Force (kN)								Non-Usable Range (mm)	Max. Lever Length L (mm)
		L=50	L=60	L=80	L=100	L=120	L=140	L=160	L=200		
7	8.80	7.6	7.4	7.1	6.8	6.0					115
6.5	8.17	7.1	6.9	6.6	6.3	6.0					127
6	7.54	6.6	6.4	6.1	5.8	5.5	5.3				143
5.5	6.91	6.0	5.9	5.6	5.3	5.1	4.9	4.7			162
5	6.28	5.5	5.3	5.1	4.8	4.6	4.4	4.2			187
4.5	5.65	4.9	4.8	4.6	4.3	4.2	4.0	3.8	3.5		222
4	5.03	4.4	4.3	4.0	3.9	3.7	3.5	3.4	3.1		260
3.5	4.40	3.8	3.7	3.5	3.4	3.2	3.1	3.0	2.7		260
3	3.77	3.3	3.2	3.0	2.9	2.8	2.7	2.5	2.4		260
2.5	3.14	2.7	2.7	2.5	2.4	2.3	2.2	2.1	2.0		260
2	2.51	2.2	2.1	2.0	1.9	1.8	1.8	1.7	1.6		260
1.5	1.88	1.6	1.6	1.5	1.4	1.4	1.3	1.3	1.2		260
Max. Operating Pressure (MPa)	7.0	7.0	7.0	7.0	7.0	6.8	6.1	5.5	4.8		



LHV0750		Clamping Force Calculation Formula ^{**1} (kN) $F = P / (0.5442 + 0.0014 \times L)$									
Hydraulic Pressure (MPa)	Cylinder Force (kN)	Clamping Force (kN)								Non-Usable Range (mm)	Max. Lever Length L (mm)
		L=50	L=60	L=80	L=100	L=120	L=140	L=160	L=200		
7	12.86	11.4	11.1	10.7	10.2	9.8	9.5				147
6.5	11.94	10.6	10.3	9.9	9.5	9.1	8.8	8.5			163
6	11.03	9.8	9.6	9.1	8.8	8.4	8.1	7.8			183
5.5	10.11	9.0	8.8	8.4	8.0	7.7	7.4	7.2	6.7		209
5	9.19	8.1	8.0	7.6	7.3	7.0	6.8	6.5	6.1		242
4.5	8.27	7.3	7.2	6.9	6.6	6.3	6.1	5.9	5.5		280
4	7.35	6.5	6.4	6.1	5.8	5.6	5.4	5.2	4.9		280
3.5	6.43	5.7	5.6	5.3	5.1	4.9	4.7	4.6	4.2		280
3	5.51	4.9	4.8	4.6	4.4	4.2	4.1	3.9	3.6		280
2.5	4.59	4.1	4.0	3.8	3.7	3.5	3.4	3.3	3.0		280
2	3.68	3.3	3.2	3.0	2.9	2.8	2.7	2.6	2.4		280
1.5	2.76	2.4	2.4	2.3	2.2	2.1	2.0	2.0	1.8		280
Max. Operating Pressure (MPa)	7.0	7.0	7.0	7.0	7.0	7.0	7.0	6.6	5.7		

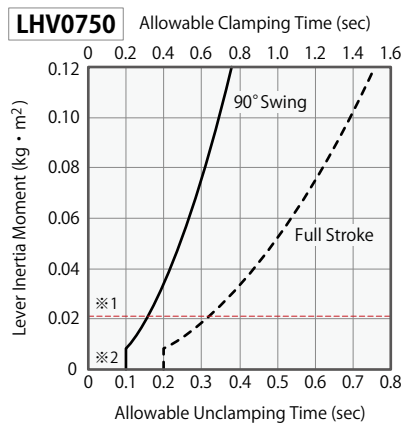
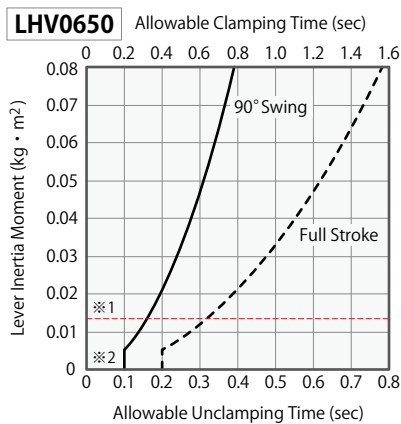
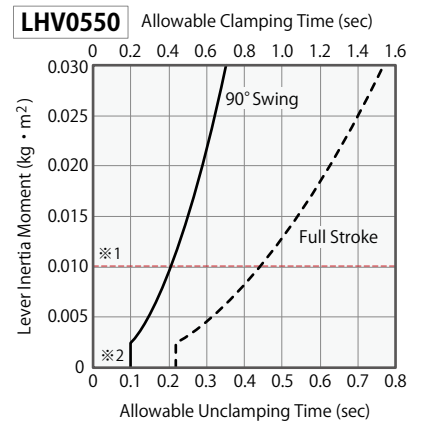
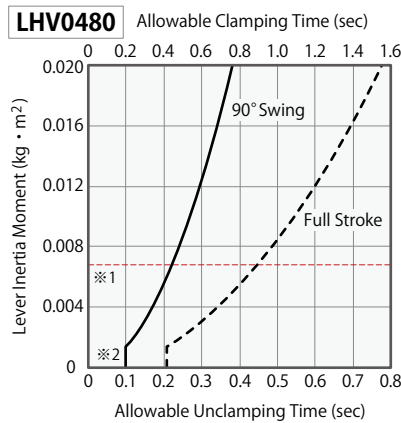
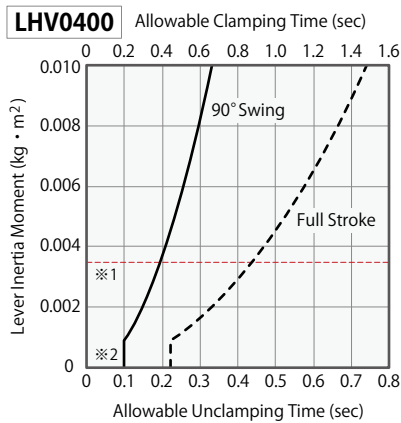
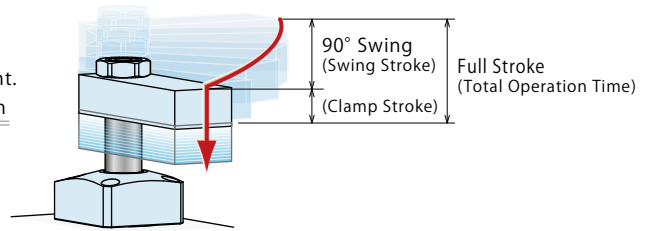


● Allowable Swing Time Graph

Adjustment of Swing Time

The graph shows allowable swing time against lever inertia moment. Please make sure that an operation time is more than the operation time shown in the graph.

Excessive action speed can reduce stopping accuracy and damage internal components.



Notes:

- ※1. It shows the inertia moment with material lever (LZH□-T).
- ※2. For any lever inertia moment, minimum 90° swing time should be 0.2 sec for clamping and 0.1 sec for unclamping or more.
 1. The graph shows the allowable action time in regard to the lever inertia moment when the piston rod operates at constant speed.
 2. There may be no lever swing action with large inertia depending on supply hydraulic pressure, oil flow and lever mounting position.
 3. For speed adjustment of clamp lever, please use meter-out flow control valve.
In case of meter-in control, the clamp lever may be accelerated by its own weight during swinging motion (clamp mounted horizontally) or the piston rod may be moving too fast. (Please refer to P.60 for speed control of the hydraulic cylinder.)
 4. Excessive swing speed can reduce stopping accuracy and damage the internal components.
 5. Please contact us if operational conditions differ from those shown on the graphs.

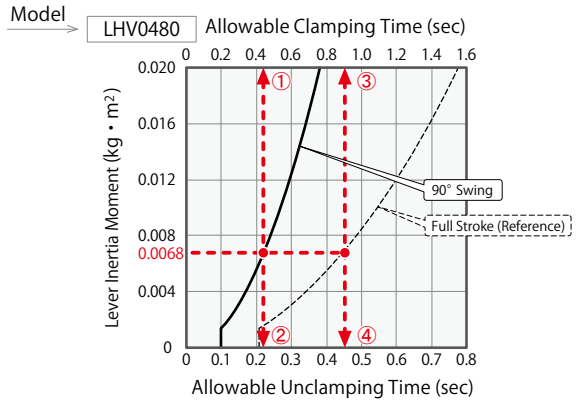
(How to read the allowable swing time graph)

When using LHV0480

Lever Inertia Moment : 0.0068 kg · m²

- ① 90° Swing Time when Clamping : About 0.44 sec or more
- ② 90° Swing Time when Unclamping : About 0.22 sec or more
- ③ Total Clamp Operation Time : About 0.9 sec or more
- ④ Total Unclamp Operation Time : About 0.45 sec or more

1. The total operation time on the graph represents the allowable operation time when fully stroked.



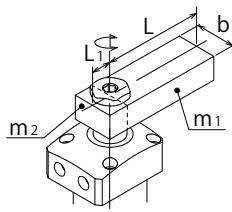
How to calculate inertia moment (Estimated)

I : Inertia Moment (kg · m²)

L, L₁, L₂, K, b : Length (m)

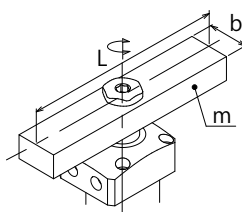
m, m₁, m₂, m₃ : Mass (kg)

- ① For a rectangular plate (cuboid), the rotating shaft is vertically on one side of the plate.



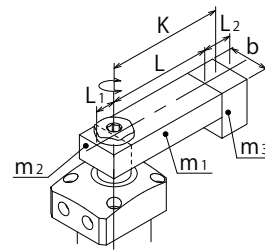
$$I = m_1 \frac{4L^2 + b^2}{12} + m_2 \frac{4L_1^2 + b^2}{12}$$

- ② For a rectangular plate (cuboid), the rotating shaft is vertically on the gravity center of the plate.



$$I = m \frac{L^2 + b^2}{12}$$

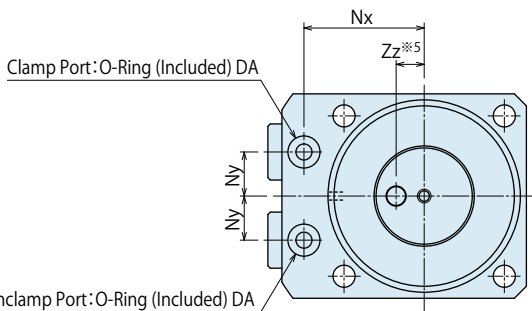
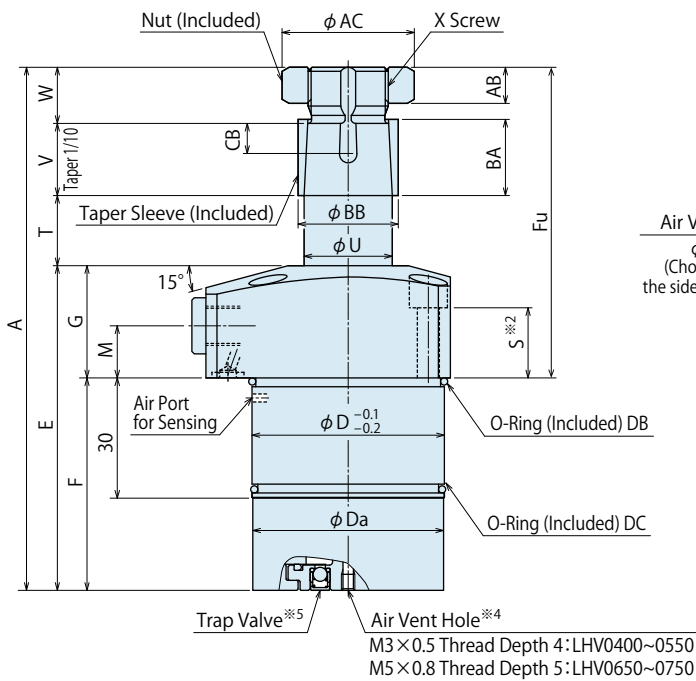
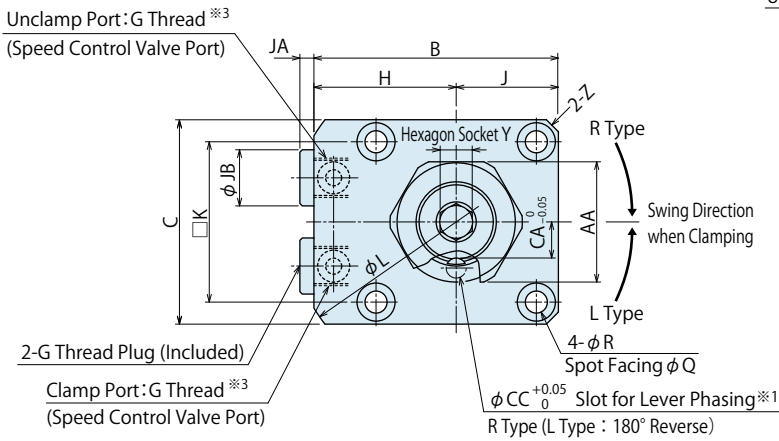
- ③ Load is applied on the lever front end.



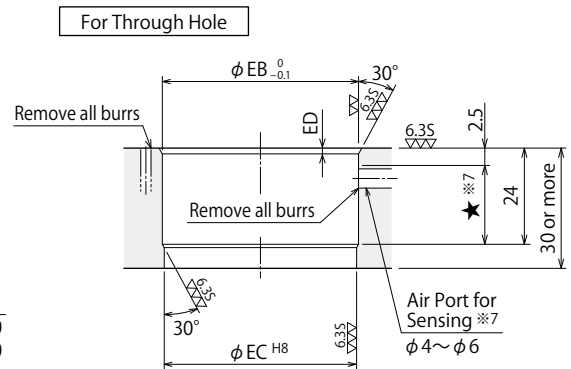
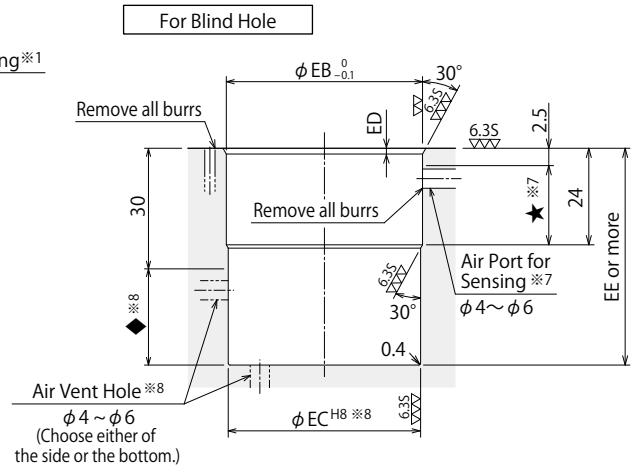
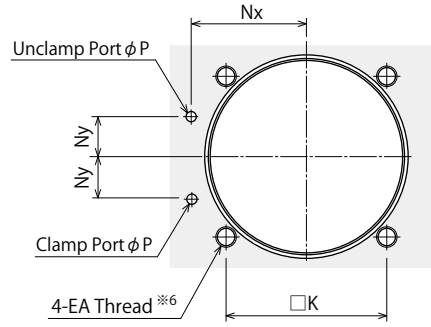
$$I = m_1 \frac{4L^2 + b^2}{12} + m_2 \frac{4L_1^2 + b^2}{12} + m_3 K^2 + m_3 \frac{L_2^2 + b^2}{12}$$

External Dimensions

※ The drawing shows the unclamped state of LHV-CRE.



Machining Dimensions of Mounting Area



Notes:

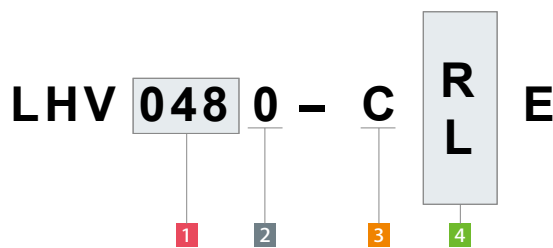
- ※6. EA tapping depth of the mounting bolt should be decided according to the mounting height referring to dimensions 'S'.
- ※7. Prepare the air port for sensing within the ★ area.
- ※8. Prepare the vent hole on the side or the bottom. When preparing on the side, it should be within the ◆ area. When preparing on the bottom, it should be within φEC.

Notes:

- ※1. The slot for lever phasing faces the port side when clamped.
- ※2. Mounting bolts are not provided with the product. Please prepare them according to the mounting height referring to dimension 'S'.
- ※3. Speed control valve is sold separately. Please refer to P.55 for detail.
- ※4. Air vent hole must be open to the atmosphere, and prevent coolant and chips from entering the air vent hole. If exposed to coolant, use the thread and prepare piping to prevent coolant and chips, but do not block the air vent hole.
- ※5. Do not block the trap valve, and it must be open to the atmosphere. Phasing is not as illustrated in the drawing.

Model No. Indication

(Format Example : LHV0480-CRE)



1 Body Size

2 Design No.

3 Piping Method

4 Swing Direction when Clamping

5 Option (When selecting BLANK)

Hydraulic Series

Accessories

Cautions

1-Port Sensing
Swing Clamp

LHV

1-Port Sensing
Link Clamp

LKV

1-Port Sensing
Lift Cylinder

LLV

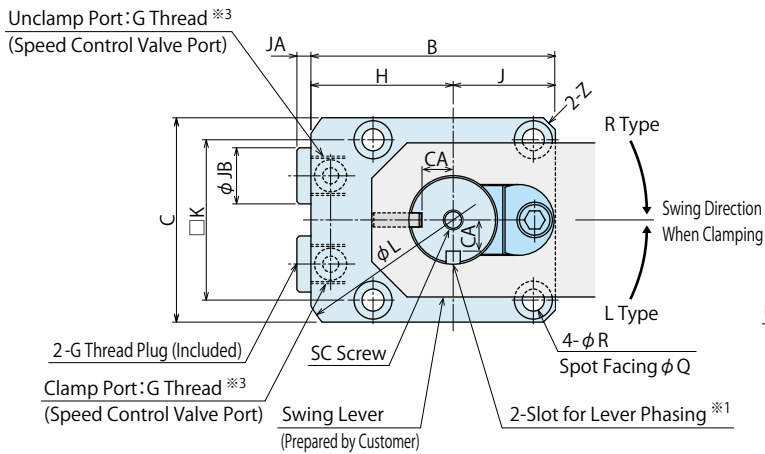
External Dimensions and Machining Dimensions of Mounting

(mm)

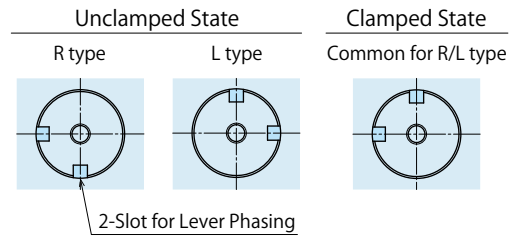
Model No.	LHV0400-C□E	LHV0480-C□E	LHV0550-C□E	LHV0650-C□E	LHV0750-C□E	
Full Stroke	14.5	15.5	18.5	20	24	
Swing Stroke (90°)	6.5	7.5	8.5	10	12	
Vertical Stroke	8	8	10	10	12	
A	118	130.5	145.5	157	182	
B	54	61	69	81	92	
C	45	51	60	70	80	
D	40	48	55	65	75	
Da	39.6	47.6	54.6	64.6	74.6	
E	74.5	81	89	95	110	
F	49.5	53	59	64	72	
Fu	68.5	77.5	86.5	93	110	
G	25	28	30	31	38	
H	31.5	35.5	39	46	52	
J	22.5	25.5	30	35	40	
K	34	40	47	55	63	
L	73	83	88	106	116	
M	11	13	12	13	16	
Nx	26	30	33.5	39.5	45	
Ny	9	11	12	15	16	
P	3	3	3	5	5	
Q	9	9	11	11	14	
R	5.5	5.5	6.8	6.8	9	
S	15	17.5	17	17	21	
T	16.5	17.5	20.5	22	26	
U	18	22	25	30	35.5	
V	15	18	21	24	30	
W	12	14	15	16	16	
X (Nominal × Pitch)	M16×1.5	M20×1.5	M22×1.5	M27×1.5	M30×1.5	
Y	6	8	8	10	10	
Z (Chamfer)	C3	C3	C3	C4	C5	
Zz	7	7	7	9	9	
AA	24	30	32	41	46	
AB	8	9	10	11	11	
AC	26.5	33	35.5	45	50	
BA	16	19	22	25	31	
BB	20	25	28	34	40	
CA	7	9	10	12.5	14	
CB	6.5	7.5	9.5	11.5	12.5	
CC	4	5	6	6	8	
EA (Nominal × Pitch)	M5×0.8	M5×0.8	M6×1	M6×1	M8×1.25	
EB	40.8	49	56	66	76	
EC	40 ^{+0.039} ₀	48 ^{+0.039} ₀	55 ^{+0.046} ₀	65 ^{+0.046} ₀	75 ^{+0.046} ₀	
ED	1.2	1.2	1.5	1.5	1.5	
EE	50	53.5	59.5	64.5	72.5	
JA	3.5	3.5	3.5	4.5	4.5	
JB	14	14	14	19	19	
Clamp Port : G Thread	G1/8	G1/8	G1/8	G1/4	G1/4	
Unclamp Port : G Thread	G1/8	G1/8	G1/8	G1/4	G1/4	
O-Ring	DA	1BP5	1BP5	1BP5	1BP7	
	DB	38×1.5 (Internal Diam. × Wire Diam.)	AS568-031(70°)	AS568-034(70°)	AS568-037(70°)	AS568-040(70°)
	DC	AS568-028(70°)	AS568-031(70°)	AS568-033(70°)	AS568-036(70°)	AS568-039(70°)

External Dimensions

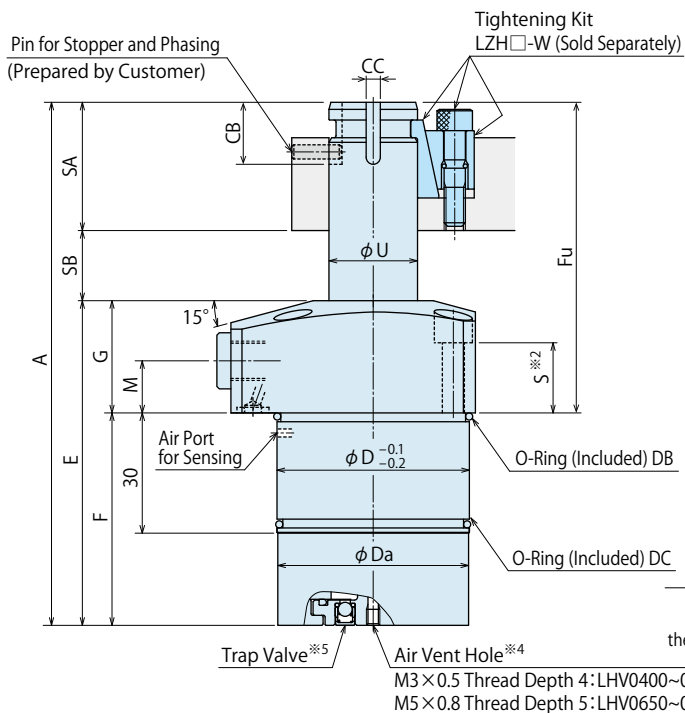
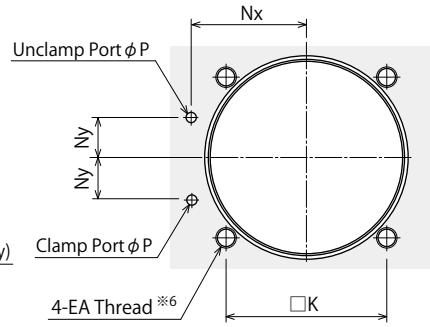
※ The drawing shows the unclamped state of LHV-CRE-A.



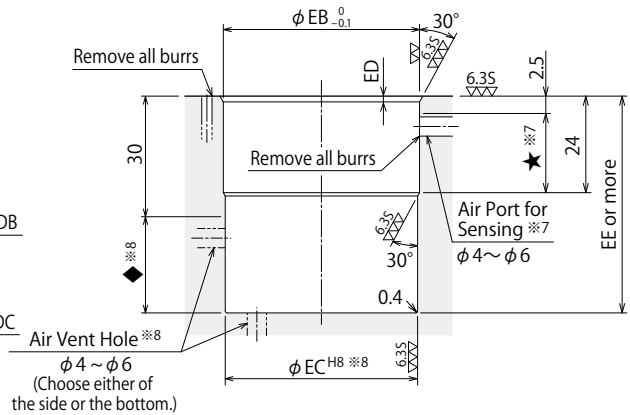
※1. Slot for Lever Phasing



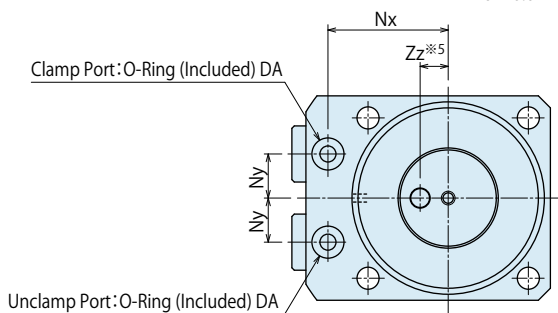
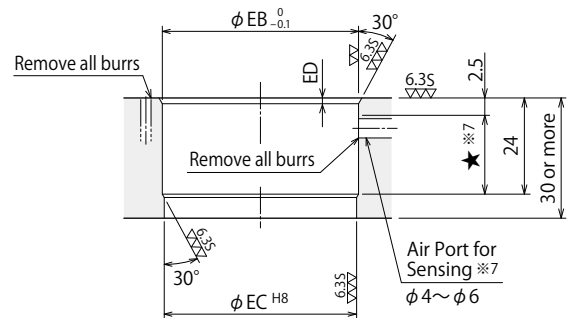
Machining Dimensions of Mounting Area



For Blind Hole



For Through Hole



Notes:

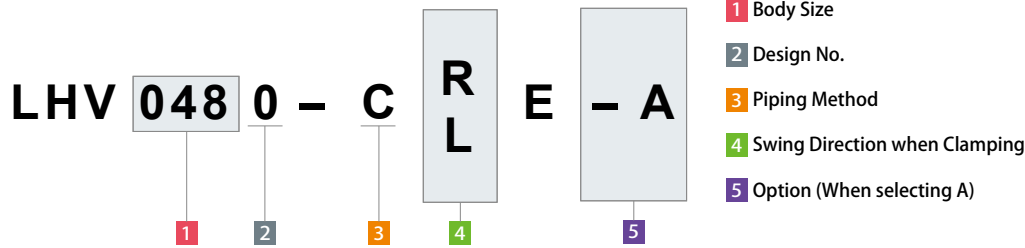
- ※2. Mounting bolts are not provided with the product. Please prepare them according to the mounting height referring to dimension 'S'.
- ※3. Speed control valve is sold separately. Please refer to P.55 for detail.
- ※4. Air vent hole must be open to the atmosphere, and prevent coolant and chips from entering the air vent hole. If exposed to coolant, use the thread and prepare piping to prevent coolant and chips, but do not block the air vent hole.
- ※5. Do not block the trap valve, and it must be open to the atmosphere. Phasing is not as illustrated in the drawing.

Notes:

- ※6. EA tapping depth of the mounting bolt should be decided according to the mounting height referring to dimensions 'S'.
- ※7. Prepare the air port for sensing within the ★ area.
- ※8. Prepare the vent hole on the side or the bottom. When preparing on the side, it should be within the ◆ area. When preparing on the bottom, it should be within φEC.

Model No. Indication

(Format Example : LHV0480-CRE-A, LHV0550-CLE-A)



External Dimensions and Machining Dimensions of Mounting

(mm)

Model No.	LHV0400-C□E-A	LHV0480-C□E-A	LHV0550-C□E-A	LHV0650-C□E-A	LHV0750-C□E-A	
Full Stroke	14.5	15.5	18.5	20	24	
Swing Stroke (90°)	6.5	7.5	8.5	10	12	
Vertical Stroke	8	8	10	10	12	
A	118	130.5	145.5	157	182	
B	54	61	69	81	92	
C	45	51	60	70	80	
D	40	48	55	65	75	
Da	39.6	47.6	54.6	64.6	74.6	
E	74.5	81	89	95	110	
F	49.5	53	59	64	72	
Fu	68.5	77.5	86.5	93	110	
G	25	28	30	31	38	
H	31.5	35.5	39	46	52	
J	22.5	25.5	30	35	40	
K	34	40	47	55	63	
L	73	83	88	106	116	
M	11	13	12	13	16	
Nx	26	30	33.5	39.5	45	
Ny	9	11	12	15	16	
P	3	3	3	5	5	
Q	9	9	11	11	14	
R	5.5	5.5	6.8	6.8	9	
S	15	17.5	17	17	21	
U	18	22	25	30	35.5	
Z (Chamfer)	C3	C3	C3	C4	C5	
Zz	7	7	7	9	9	
CA ※9	5.8	7.8	8.8	10.5	12.5	
CB ※9	15	16	17.5	21.5	21.5	
CC ※9	4 ^{+0.038} _{+0.020}	4 ^{+0.038} _{+0.020}	4 ^{+0.038} _{+0.020}	6 ^{+0.038} _{+0.020}	6 ^{+0.038} _{+0.020}	
SA ※9	27	32	36	40	46	
SB ※9	16.5	17.5	20.5	22	26	
SC (Nominal × Pitch × Depth) ※9	M5×0.8×8	M5×0.8×8	M6×1×11	M6×1×11	M8×1.25×13	
EA (Nominal × Pitch)	M5×0.8	M5×0.8	M6×1	M6×1	M8×1.25	
EB	40.8	49	56	66	76	
EC	40 ^{+0.039} ₀	48 ^{+0.039} ₀	55 ^{+0.046} ₀	65 ^{+0.046} ₀	75 ^{+0.046} ₀	
ED	1.2	1.2	1.5	1.5	1.5	
EE	50	53.5	59.5	64.5	72.5	
JA	3.5	3.5	3.5	4.5	4.5	
JB	14	14	14	19	19	
Clamp Port : G Thread Unclamp Port : G Thread	G1/8	G1/8	G1/8	G1/4	G1/4	
O-Ring	DA	1BP5	1BP5	1BP5	1BP7	
	DB	38×1.5 (Internal Diam. × Wire Diam.)	AS568-031(70°)	AS568-034(70°)	AS568-037(70°)	AS568-040(70°)
	DC	AS568-028(70°)	AS568-031(70°)	AS568-033(70°)	AS568-036(70°)	AS568-039(70°)
Pin for Stopper and Phasing ※9	φ4(m6)×10	φ4(m6)×12	φ4(m6)×14	φ6(m6)×14	φ6(m6)×16	

Note : ※9. It shows different dimensions than **5 Blank**: Standard.

Taper Lock Lever Design Dimensions

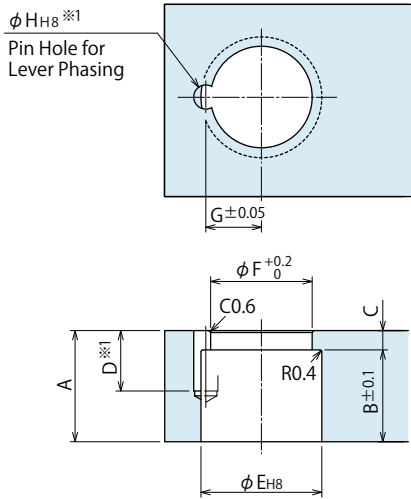
※ Reference for designing taper lock swing lever.

Corresponding Model No.



1 Body Size

5 Option
When selecting Blank



(mm)					
Corresponding Model No. ※3	LHV0400	LHV0480	LHV0550	LHV0650	LHV0750
A	19	23	26	29	35
B	16	19	22	25	31
C	3	4	4	4	4
D	10.5	12.5	14.5	16.5	17.5
E	20 ^{+0.033} ₀	25 ^{+0.033} ₀	28 ^{+0.033} ₀	34 ^{+0.039} ₀	40 ^{+0.039} ₀
F	17	21	23.5	29	33
G	9	11.5	13	15.5	18
H	4 ^{+0.018} ₀	5 ^{+0.018} ₀	6 ^{+0.018} ₀	6 ^{+0.018} ₀	8 ^{+0.022} ₀
Phasing Pin (Reference) ※2	φ4(h8)×10	φ5(h8)×12	φ6(h8)×14	φ6(h8)×16	φ8(h8)×16

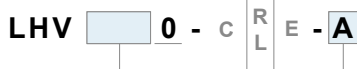
Notes :

- Swing lever should be designed with its length according to performance curve.
 - If the swing lever is not in accordance with the dimensions shown above, performance may be degraded and damage can occur.
- ※1. The pin hole (φ H) for determining the lever phase should be added, if necessary.
 ※2. Phasing pin is not included. Prepare it separately.
 ※3. Refer to Quick Change Lever Type A Design Dimensions for -A (Quick Change Lever Type A).

Quick Change Lever Type A Design Dimensions

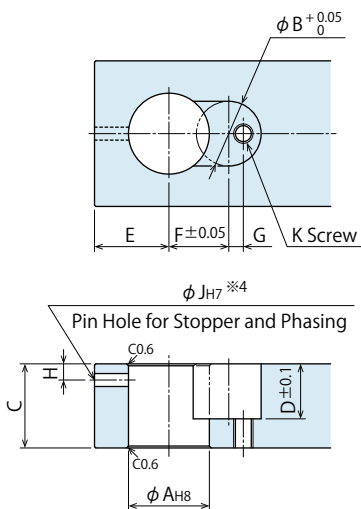
※ Reference for designing Quick Change Swing Lever Type A.

Corresponding Model No.



1 Body Size

5 Option
When selecting A



(mm)					
Corresponding Model No. ※3	LHV0400 -C□E-A	LHV0480 -C□E-A	LHV0550 -C□E-A	LHV0650 -C□E-A	LHV0750 -C□E-A
A	18 ^{+0.027} ₀	22 ^{+0.033} ₀	25 ^{+0.033} ₀	30 ^{+0.033} ₀	35.5 ^{+0.039} ₀
B	15	18	20	24	28
C	19	23	26	29	35
D	13	15.5	17	19	21
E	16	20	23	25	29
F	15	16.5	18.5	20.5	25
G	2.5	4	4.5	6.5	6.5
H	4	4	4	6	6
J	4 ^{+0.012} ₀	4 ^{+0.012} ₀	4 ^{+0.012} ₀	6 ^{+0.012} ₀	6 ^{+0.012} ₀
K	M5×0.8	M5×0.8	M6×1	M6×1	M8×1.25
Pin for Stopper and Phasing ※4	φ4(m6) ×10	φ4(m6) ×12	φ4(m6) ×14	φ6(m6) ×14	φ6(m6) ×16

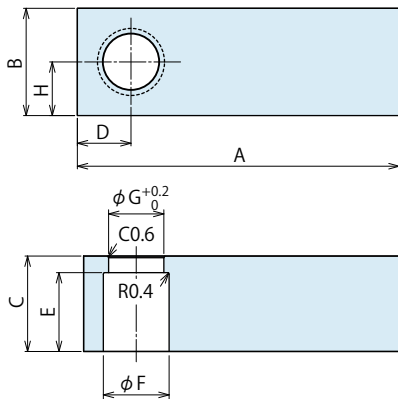
Notes :

- Swing lever should be designed with its length according to performance curve on page 9.
 - If the swing lever is not in accordance with the dimension shown above, performance may be degraded and damage can occur.
 - Tightening Kit (LZH□-W) for Quick Change Lever Type A is sold separately.
- ※4. The pin hole for stopper and phasing (φ J) should be appropriately machined according to the slot for lever phasing on the clamp body. Pin for stopper and phasing (prepared by customer) is used as phasing when mounting the lever and as stopper when removing the lever. If you are not using a pin for stopper and phasing, a stopper is required to remove the lever.

Accessory : Material Swing Lever for Taper Lock Option

Model No. Indication

LZH 048 0 - T

Size
(Refer to the table.)Design No.
(Revision Number)

Model No.	(mm)				
	LZH0400 -T	LZH0480 -T	LZH0550 -T	LZH0650 -T	LZH0750 -T
Corresponding Model No.※5	LHV0400	LHV0480	LHV0550	LHV0650	LHV0750
A	145	160	170	175	185
B	32	40	45	50	58
C	19	23	26	29	35
D	16	20	23	25	29
E	16	19	22	25	31
F	20	25	28	34	40
G	17	21	23.5	29	33
H	16	20	22.5	25	29

Notes :

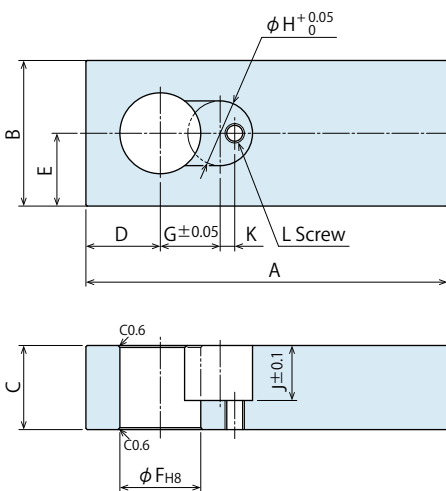
1. Material : S50CH Surface Finishing : Alkaline Blackening
2. If necessary, the front end should be additionally machined.
3. When determining the phase, refer to taper lock lever design dimensions for each model for the additional machining.

※5. Refer to Accessory of Quick Change Lever Type A for -A (Quick Change Lever Type A).

Accessory : Material Swing Lever for Quick Change Lever Type A

Model No. Indication

LZH 048 0 - A

Size
(Refer to the table.)Design No.
(Revision Number)

Model No.	(mm)				
	LZH0400 -A	LZH0480 -A	LZH0550 -A	LZH0650 -A	LZH0750 -A
Corresponding Model No.	LHV0400 -C□E-A	LHV0480 -C□E-A	LHV0550 -C□E-A	LHV0650 -C□E-A	LHV0750 -C□E-A
A	145	160	170	175	185
B	32	40	45	50	58
C	19	23	26	29	35
D	16	20	23	25	29
E	16	20	22.5	25	29
F	18 ^{+0.027} ₀	22 ^{+0.033} ₀	25 ^{+0.033} ₀	30 ^{+0.033} ₀	35.5 ^{+0.039} ₀
G	15	16.5	18.5	20.5	25
H	15	18	20	24	28
J	13	15.5	17	19	21
K	2.5	4	4.5	6.5	6.5
L	M5×0.8	M5×0.8	M6×1	M6×1	M8×1.25

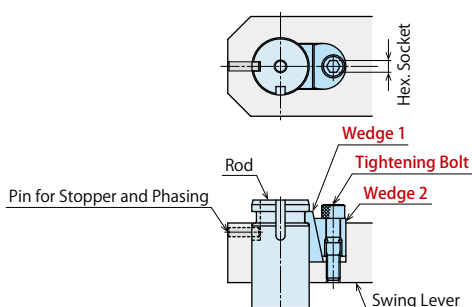
Notes :

1. Material : S50CH Surface Finishing : Alkaline Blackening
2. If necessary, the front end should be additionally machined.
3. The pin hole for stopper and lever phasing should be additionally machined by referring to Quick Change Lever Type A Design Dimensions.
4. Tightening Kit (LZH□-W) for Quick Change Lever Type A is sold separately.

Accessory : Tightening Kit for Quick Change Lever Type A

Model No. Indication

LZH 048 0 - W

Size
(Refer to the table.)Design No.
(Revision Number)

Tightening Kit for mounting Quick Change Lever Type A.

Sold separately from clamp body.

【Contents of Tightening Kit】

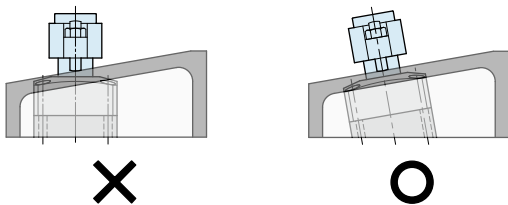
· Wedge 1 · Wedge 2 · Tightening Bolt

Model No.	LZH0400 -W	LZH0480 -W	LZH0550 -W	LZH0650 -W	LZH0750 -W	
Corresponding Model No.	LHV0400 -C□E-A	LHV0480 -C□E-A	LHV0550 -C□E-A	LHV0650 -C□E-A	LHV0750 -C□E-A	
Nominal×Pitch of Tightening Bolt	M5×0.8	M5×0.8	M6×1	M6×1	M8×1.25	
Hex. Socket	mm	4	4	5	5	6
Tightening Torque	N·m	5.0	5.0	8.0	8.0	20

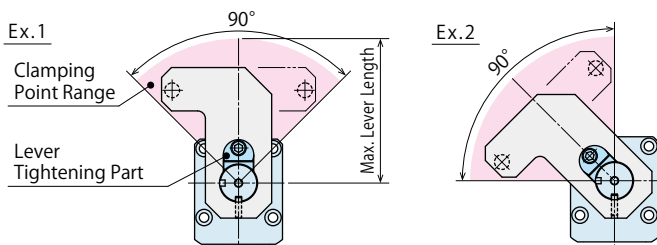
Cautions

● Notes for Design

- 1) Check Specifications
 - Please use each product according to the specifications.
- 2) Notes for Circuit Design
 - Please read "Notes on Hydraulic Cylinder Speed Control Unit" to assist with proper hydraulic circuit designing. Improper circuit design may lead to malfunctions and damages. (Refer to P.60)
 - Ensure there is no possibility of supplying hydraulic pressure to the clamp and unclamp ports simultaneously.
- 3) Swing lever should be designed so that the moment of inertia is small.
 - Large moment of inertia will degrade the lever's stopping accuracy and cause undue wear to the clamp.
 - Additionally, the clamp may not function, depending on supplied hydraulic pressure and lever mounting position.
 - Please set the allowable operating time after the moment of inertia calculated. Please make sure that the clamps work within allowable operating time referring to the allowable operating time graph.
- 4) When using on a welding fixture, the exposed area of piston rod should be protected.
 - If spatter gets onto the sliding surface it could lead to malfunction and fluid leakage.
- 5) When clamping on a sloped surface of the workpiece
 - Make sure the clamp surface and mounting surface of the clamp are parallel.



- 6) Vent Hole and Check Valve of Air Sensor
 - Make sure to check the notes for design, installation and use on P. 5. when using an air sensor.
- 7) When using an offset lever for LHV-A (Quick Change Lever Type A)
 - Clamping point should be in the range of 90° towards lever tightening part.



● Installation Notes

- 1) Check the Usable Fluid
 - Please use the appropriate fluid by referring to the Hydraulic Fluid List (P.59).
- 2) Swing Speed Adjustment
 - Adjust the speed following "Allowable Swing Time Graph". If the clamp operates too fast the parts will wear out leading to premature damage and ultimately complete equipment failure.
 - Please make sure to release air from the circuit before adjusting speed. It will be difficult to adjust the speed accurately with air mixed in the circuit.
 - Turn the speed control valve gradually from the low-speed side (small flow) to the high-speed side (large flow) to adjust the speed.

3) Installation of the Product

- When mounting the clamp, use hexagon socket bolts as multiple bolt holes for mounting (with tensile strength of 12.9) and tighten them with the torque shown in the chart below. Tightening with greater torque than recommended can depress the seating surface or break the bolt.

Model No.	Tightening Bolt Size	Tightening Torque (N·m)
LHV0400-C□E	M5×0.8	8.0
LHV0480-C□E	M5×0.8	8.0
LHV0550-C□E	M6×1	14
LHV0650-C□E	M6×1	14
LHV0750-C□E	M8×1.25	33

4) Installation / Removal of the Swing Lever

- Oil or debris on the mating surfaces of the lever, taper sleeve or piston rod may cause the rod to loosen. Please clean them thoroughly before assembly.
- Tighten the tightening bolt of swing lever with the torque shown below. Tightening with greater torque than recommended can damage the bolt and lever tightening function.

LHV Standard : Taper Lock Lever Option

Model No.	Thread Size	Tightening Torque (N·m)
LHV0400-C□E	M16×1.5	33 ~ 40
LHV0480-C□E	M20×1.5	54 ~ 65
LHV0550-C□E	M22×1.5	84 ~ 100
LHV0650-C□E	M27×1.5	120 ~ 145
LHV0750-C□E	M30×1.5	175 ~ 210

LHV-A : Quick Change Lever Type A

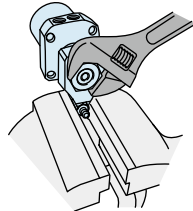
Model No.	Tightening Bolt Size	Tightening Torque (N·m)
LHV0400-C□E-A	M5×0.8	5.0
LHV0480-C□E-A	M5×0.8	5.0
LHV0550-C□E-A	M6×1	8.0
LHV0650-C□E-A	M6×1	8.0
LHV0750-C□E-A	M8×1.25	20

- For using LHV Standard (Taper Lock Lever)

If the piston rod is subjected to excessive torque or shock, the rod or the internal rotation mechanism may be damaged. Observe the following points to prevent these kinds of shocks.

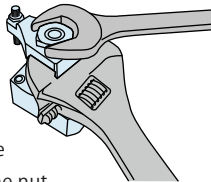
Installation Procedure

① With the clamp positioned to the fixture, determine the lever position, and temporarily tighten the nut for fixing the lever.



② Remove the clamp from the fixture, fix the lever with machine vise etc., and tighten the nut.

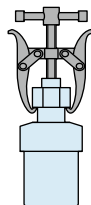
③ If tightening the nut with the clamp fixed to the fixture, please use a wrench to the hexagon part of piston rod top, or fix the lever with a spanner. It is best to bring the lever to the middle of the swing stroke before tightening the nut.



Removal Procedure

① With the clamp fixed to the fixture or machine vise, use a wrench to bring the lever to the middle of the swing stroke and then loosen the nut.

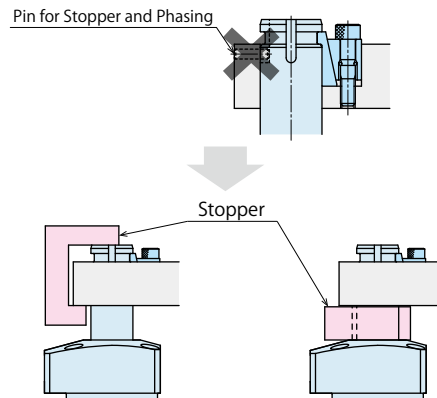
② Loosen the nut for fixing the lever two or three turns then remove the lever with a puller without any rotational torque applied on the piston rod.



- When using Quick Change Lever Type A

Pin for stopper and phasing (prepared by customer) is used as phasing when mounting the lever and as stopper when removing the lever. If you are not using a pin for stopper and phasing, a stopper is required to remove the lever.

Stopper example for lever removal when not using the pin for stopper and phasing.

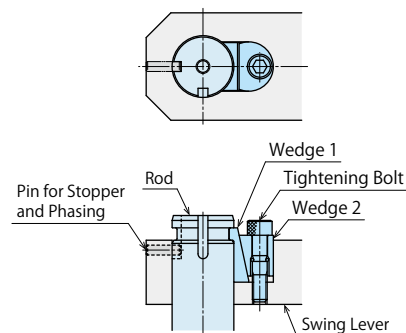


Installation Procedure

① Install in order of swing lever, wedge 1, wedge 2 to the rod.
② Pull the lever towards the wedge side and tighten the tightening bolt with the specified torque.

Removal Procedure

① By loosening tightening bolt, wedge function is released and the lever can be removed.



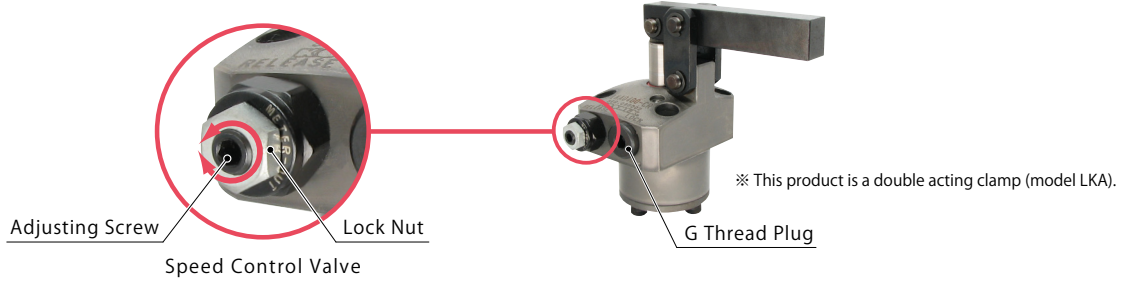
※ Please refer to P.59 for common cautions.

• Installation Notes • Hydraulic Fluid List • Notes on Hydraulic Cylinder Speed Control Circuit
• Notes on Handling • Maintenance/Inspection • Warranty

● Speed Control Valve (For Low Pressure)

Directly Mounted to Clamps

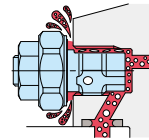
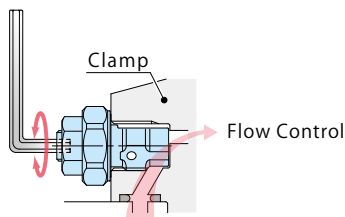
Speed Control Valve (model BZL) is directly mounted to hydraulic clamps with piping method: type C.



Action Description

Adjust the flow by wrench.
Able to adjust the clamping action speed individually.

Able to bleed the air in the circuit
by loosening the Speed Control Valve.



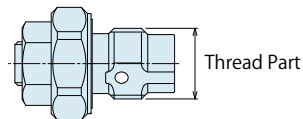
● Model No. Indication (Speed Control Valve for Low Pressure)

BZL 0 10 1 - B

1
2
3

1 G Thread Size

- 10** : Thread Part G1/8A Thread
- 20** : Thread Part G1/4A Thread



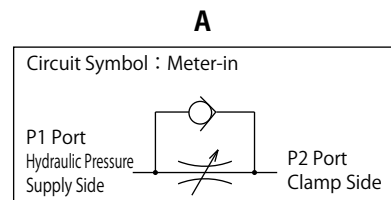
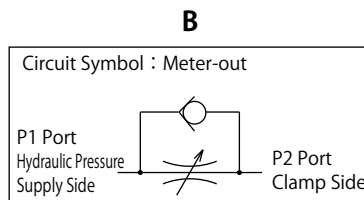
2 Design No.

- 1** : Revision Number

3 Control Method

B : Meter-out (Recommended*1)

A : Meter-in



※1. Flow control circuit for double action cylinder should have meter-out circuits for both the lock and release sides (except model LKE/TLA/TMA). Meter-in circuits can be adversely affected by any air in the system.

Specifications

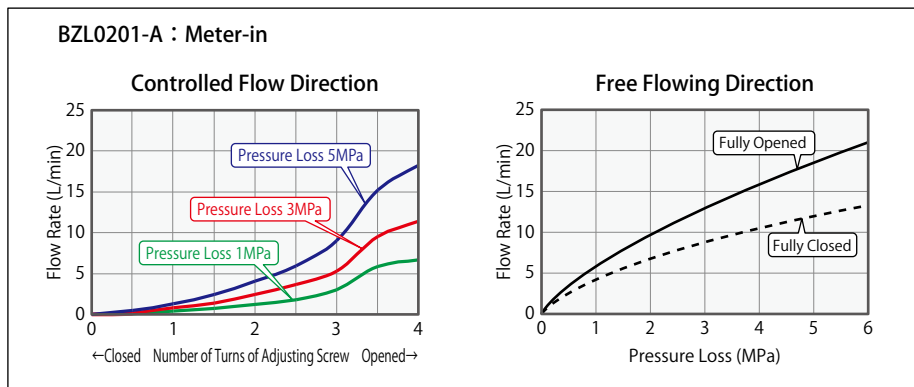
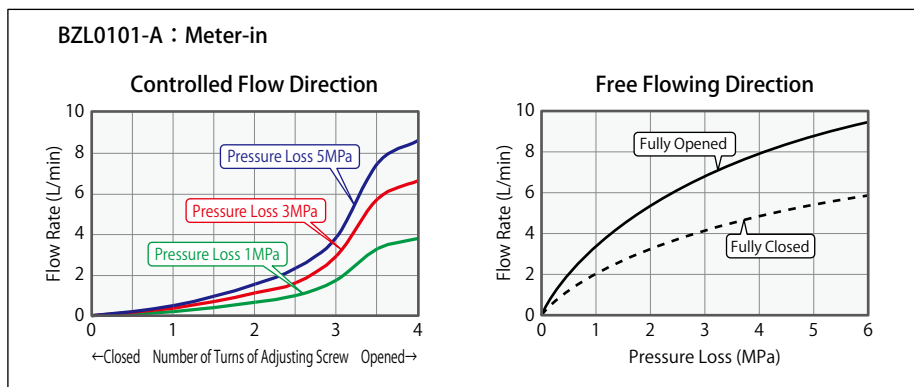
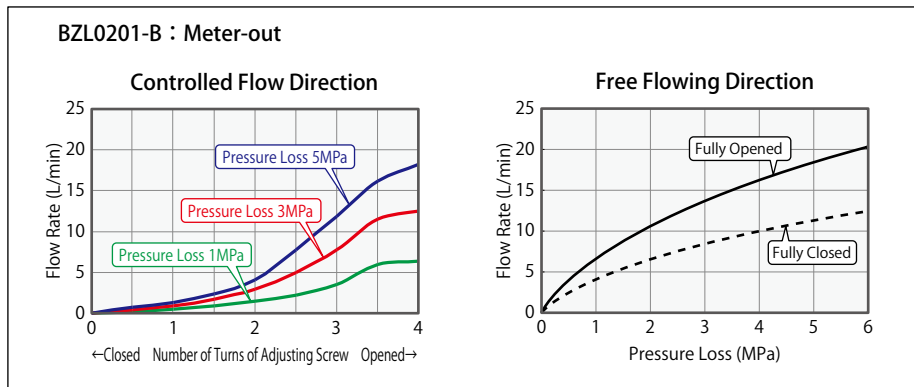
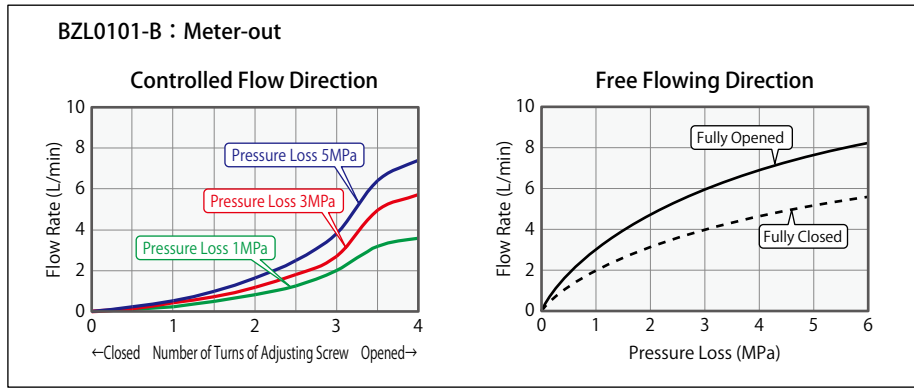
Model No.	BZL0101-B	BZL0201-B	BZL0101-A	BZL0201-A
Max. Operating Pressure MPa	7			
Withstanding Pressure MPa	10.5			
Control Method	Meter-out		Meter-in	
G Thread Size	G1/8A	G1/4A	G1/8A	G1/4A
Cracking Pressure MPa	0.12		0.04	
Max. Passage Area mm ²	2.6	5.0	2.6	5.0
Usable Fluid °C	0 ~ 70			
Operating Temperature	General Hydraulic Oil Equivalent to ISO-VG-32			
Tightening Torque for Main Body N·m	10	25	10	25

- Notes :
1. It must be mounted with recommended torque. Because of the structure of the metal seal, if mounting torque is insufficient, the flow control valve may not be able to adjust the flow rate.
 2. Do not attach a used BZL to other clamps.
Flow control may not be done because the bottom depth difference of G thread makes metal sealing insufficient.

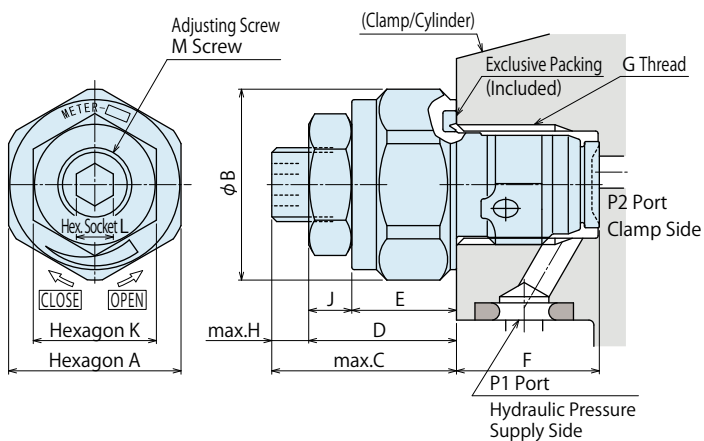
Applicable Products

Model No.	LHV (Double Action) Swing Clamp	LKV (Double Action) Link Clamp	LLV (Double Action) Lift Cylinder
BZL0101-B	LHV0400-C□E-□ LHV0480-C□E-□ LHV0550-C□E-□	LKV0400-C□E-□ LKV0480-C□E-□ LKV0550-C□E-□	LLV0360-C□E-□ LLV0400-C□E-□ LLV0480-C□E-□
BZL0101-A	(LHV0400-C□E-□) (LHV0480-C□E-□) (LHV0550-C□E-□)	(LKV0400-C□E-□) (LKV0480-C□E-□) (LKV0550-C□E-□)	(LLV0360-C□E-□) (LLV0400-C□E-□) (LLV0480-C□E-□)
BZL0201-B	LHV0650-C□E-□ LHV0750-C□E-□	LKV0650-C□E-□ LKV0750-C□E-□	
BZL0201-A	(LHV0650-C□E-□) (LHV0750-C□E-□)	(LKV0650-C□E-□) (LKV0750-C□E-□)	

● Flow Rate Graph < Hydraulic Fluids ISO-VG32 (25~35°C)>



External Dimensions



Model No.	BZL0101-□	BZL0201-□
A	14	18
B	15.5	20
C	15	16
D	12	13
E	8.5	9.5
F	(11.6)	(15.1)
G	G1/8	G1/4
H	3	3
J	3.5	3.5
K	10	10
L	3	3
M	M6×0.75	M6×0.75

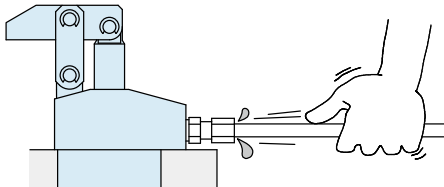
Notes

- Please read "Notes on Hydraulic Cylinder Speed Control Circuit" to assist with proper hydraulic circuit design.
If there is something wrong with the circuit design, it leads to the applications malfunction and damage. (Refer to P.60)
- It is dangerous to bleed air under high pressure. It must be done under lower pressure.
(For reference: the minimum operating range of the product within the circuit.)
- Flow control circuit for double action cylinder should have meter-out circuits for both the lock and release sides (except model LKE/TLA/TMA). Meter-in circuits can be adversely affected by any air in the system.

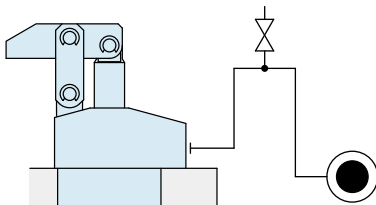
● Cautions

● Installation Notes (For Hydraulic Series)

- 1) Check the Usable Fluid
 - Please use the appropriate fluid by referring to the Hydraulic Fluid List.
- 2) Procedure before Piping
 - The pipeline, piping connector and fixture circuits should be cleaned by thorough flushing.
 - The dust and cutting chips in the circuit may lead to fluid leakage and malfunction.
 - There is no filter provided with Kosmek's product except for a part of valves which prevent foreign materials and contaminants from getting into the circuit.
- 3) Applying Sealing Tape
 - Wrap with tape 1 to 2 times following the screw direction.
 - Pieces of the sealing tape can lead to oil leakage and malfunction.
 - In order to prevent a foreign substance from going into the product during the piping work, it should be carefully cleaned before working.
- 4) Air Bleeding of the Hydraulic Circuit
 - If the hydraulic circuit has excessive air, the action time may become very long. If air enters the circuit after connecting the hydraulic port or under the condition of no air in the oil tank, please perform the following steps.
 - ① Reduce hydraulic pressure to less than 2MPa.
 - ② Loosen the cap nut of pipe fitting closest to the clamp, cylinder, work support, etc. by one full turn.
 - ③ Wiggle the pipeline to loosen the outlet of pipe fitting. Hydraulic fluid mixed with air comes out.



- ④ Tighten the cap nut after bleeding.
- ⑤ It is more effective to bleed air at the highest point inside the circuit or at the end of the circuit.
(Set an air bleeding valve at the highest point inside the circuit.)



5) Checking Looseness and Retightening

- At the beginning of the product installation, the bolt and nut may be tightened lightly. Check the looseness and re-tighten as required.

● Hydraulic Fluid List

Maker	ISO Viscosity Grade ISO-VG-32	
	Anti-Wear Hydraulic Oil	Multi-Purpose Hydraulic Oil
Showa Shell Sekiyu	Tellus S2 M 32	Morlina S2 B 32
Idemitsu Kosan	Daphne Hydraulic Fluid 32	Daphne Super Multi Oil 32
JX Nippon Oil & Energy	Super Hyrando 32	Super Mulpus DX 32
Cosmo Oil	Cosmo Hydro AW32	Cosmo New Mighty Super 32
ExxonMobil	Mobil DTE 24	Mobil DTE 24 Light
Matsumura Oil	Hydol AW-32	
Castrol	Hyspin AWS 32	

Note As it may be difficult to purchase the products as shown in the table from overseas, please contact the respective manufacturer.

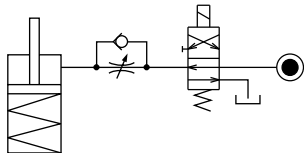
● Notes on Hydraulic Cylinder Speed Control Unit



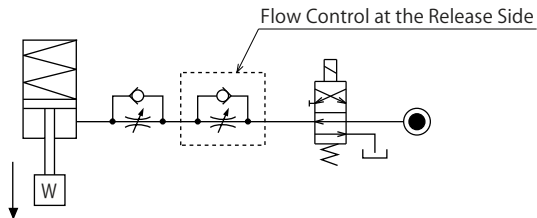
Please pay attention to the cautions below. Design the hydraulic circuit for controlling the action speed of hydraulic cylinder. Improper circuit design may lead to malfunctions and damages. Please review the circuit design in advance.

● Speed Control Circuit for Single Acting Cylinder

For spring return single acting cylinders, restricting flow during release can extremely slow down or disturb release action. The preferred method is to control the flow during the lock action only. It is also preferred to provide a flow control valve at each actuator which has limited action speed (swing clamp, hydraulic compact cylinder, etc.)



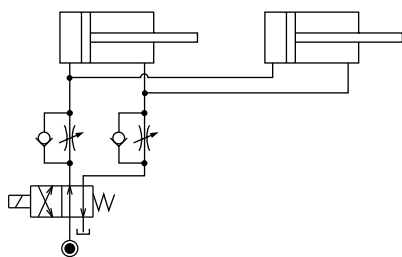
If the cylinder may be damaged by the load from the releasing action direction, provide the flow control valve to the releasing side as well. (Provide the flow control valve to the releasing side if the lever weight is applied during release action.)



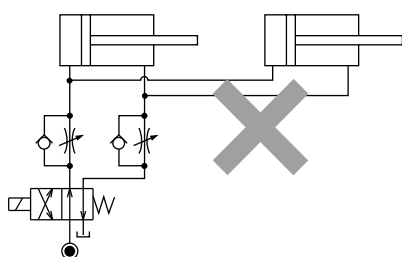
● Speed Control Circuit for Double Acting Cylinder

Speed control circuit for double action cylinder should have meter-out circuits for both the lock and release sides (except model LKE/TLA/TMA). Meter-in circuits can be adversely affected by any air in the system. However, in the case of controlling LKE, TMA, TLA, both lock side and release side should be meter-in circuit. For TMA and TLA, if meter-out circuit is used, abnormal high pressure is created, which causes oil leakage and damage.

【Meter-out Circuit】 (Except LKE/TMA/TLA)

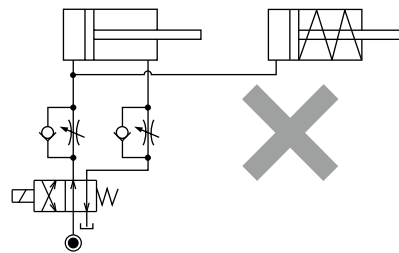


【Meter-in Circuit】 (LKE/TMA/TLA must be controlled with meter-in.)



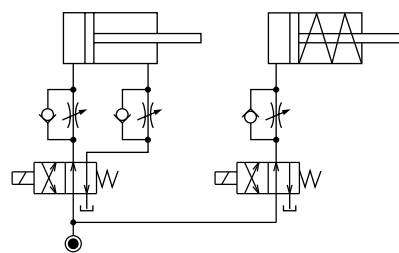
In the case of meter-out circuit, the hydraulic circuit should be designed with the following points.

- ① Single acting components should not be used in the same flow control circuit as the double acting components. The release action of the single acting cylinders may become erratic or very slow.

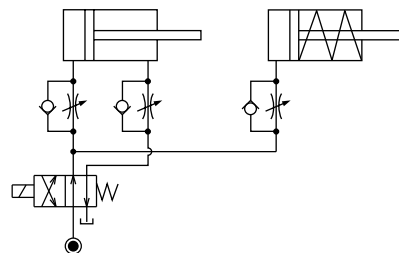


Refer to the following circuit when both the single acting cylinder and double acting cylinder are used together.

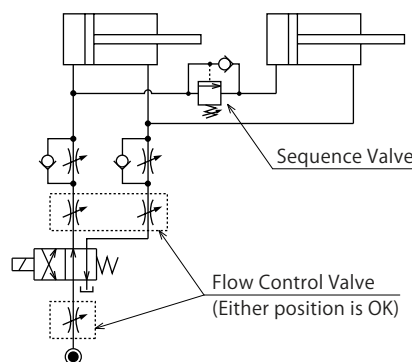
- Separate the control circuit.



- Reduce the influence of double acting cylinder control unit. However, due to the back pressure in tank line, single acting cylinder is activated after double acting cylinder works.



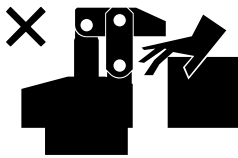
- ② In the case of meter-out circuit, the inner circuit pressure may increase during the cylinder action because of the fluid supply. The increase of the inner circuit pressure can be prevented by reducing the supplied fluid beforehand via the flow control valve. Especially when using sequence valve or pressure switches for clamping detection. If the back pressure is more than the set pressure then the system will not work as it is designed to.



ⓘ Cautions

● Notes on Handling

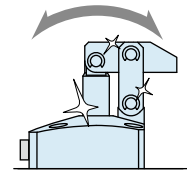
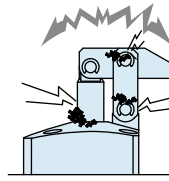
- 1) It should be handled by qualified personnel.
 - The hydraulic machine and air compressor should be handled and maintained by qualified personnel.
- 2) Do not handle or remove the product unless the safety protocols are ensured.
 - ① The machine and equipment can only be inspected or prepared when it is confirmed that the preventive devices are in place.
 - ② Before the product is removed, make sure that the above-mentioned safety measures are in place. Shut off the pressure and power source, and make sure no pressure exists in the air and hydraulic circuits.
 - ③ After stopping the product, do not remove until the temperature cools down.
 - ④ Make sure there is no abnormality in the bolts and respective parts before restarting the machine or equipment.
- 3) Do not touch clamp (cylinder) while clamp (cylinder) is working. Otherwise, your hands may be injured due to clinching.



- 4) Do not disassemble or modify.
 - If the equipment is taken apart or modified, the warranty will be voided even within the warranty period.

● Maintenance and Inspection

- 1) Removal of the Product and Shut-off of Pressure Source
 - Before the product is removed, make sure that safety measures and preventive devices are in place. Shut off the pressure and power source, and make sure no pressure exists in the air and hydraulic circuits.
 - Make sure there is no abnormality in the bolts and respective parts before restarting.
- 2) Regularly clean the area around the piston rod and plunger.
 - If it is used when the surface is contaminated with dirt, it may lead to packing seal damage, malfunctioning, fluid leakage and air leaks.



- 3) If disconnecting by couplers, air bleeding should be carried out on a regular basis to avoid air mixed in the circuit.
- 4) Regularly tighten piping, mounting bolts, snap rings and cylinders to ensure proper use.
- 5) Make sure the hydraulic fluid has not deteriorated.
- 6) Make sure there is smooth action and no abnormal noise.
 - Especially when it is restarted after left unused for a long period, make sure it can be operated properly.
- 7) The products should be stored in the cool and dark place without direct sunshine or moisture.
- 8) Please contact us for overhaul and repair.

● Warranty

1) Warranty Period

- The product warranty period is 18 months from shipment from our factory or 12 months from initial use, whichever is earlier.

2) Warranty Scope

- If the product is damaged or malfunctions during the warranty period due to faulty design, materials or workmanship, we will replace or repair the defective part at our expense.
Defects or failures caused by the following are not covered.

- ① If the stipulated maintenance and inspection are not carried out.
- ② If the product is used while it is not suitable for use based on the operator's judgment, resulting in defect.
- ③ If it is used or handled in inappropriate way by the operator.
(Including damage caused by the misconduct of the third party.)
- ④ If the defect is caused by reasons other than our responsibility.
- ⑤ If repair or modifications are carried out by anyone other than Kosmek, or without our approval and confirmation, it will void warranty.
- ⑥ Other caused by natural disasters or calamities not attributable to our company.
- ⑦ Parts or replacement expenses due to parts consumption and deterioration.
(Such as rubber, plastic, seal material and some electric components.)

Damages excluding from direct result of a product defect shall be excluded from the warranty.

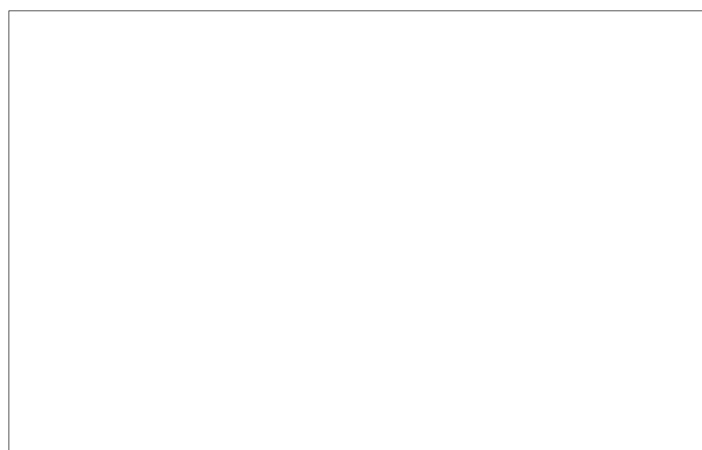


KOSMEK LTD.

▶ <http://www.kosmek.com/>

HEAD OFFICE 1-5, 2-chome, Murotani, Nishi-ku, Kobe-city, Hyogo, Japan 651-2241
TEL.+81-78-991-5162 FAX.+81-78-991-8787

BRANCH OFFICE United States of America	KOSMEK (U.S.A.) LTD. 650 Springer Drive, Lombard, IL 60148 USA TEL. +1-630-620-7650 FAX. +1-630-620-9015
MEXICO REPRESENTATIVE OFFICE	KOSMEK USA Mexico Office Blvd Jurica la Campana 1040, B Colonia Punta Juriquilla Queretaro, QRO 76230 Mexico TEL. +52-442-161-2347
BRANCH OFFICE EUROPE	KOSMEK EUROPE GmbH Schleppeplatz 2 9020 Klagenfurt am Wörthersee Austria TEL. +43-463-287587 FAX. +43-463-287587-20
BRANCH OFFICE INDIA	KOSMEK LTD. - INDIA F 203, Level-2, First Floor, Prestige Center Point, Cunningham Road, Bangalore -560052 India TEL.+91-9880561695
THAILAND REPRESENTATIVE OFFICE	KOSMEK Thailand Representation Office 67 Soi 58, RAMA 9 Rd., Suanluang, Suanluang, Bangkok 10250, Thailand TEL. +66-2-300-5132 FAX. +66-2-300-5133



- For Further Information on Unlisted Specifications and Sizes, Please call us.
- Specifications in this Leaflet are Subject to Change without Notice.

